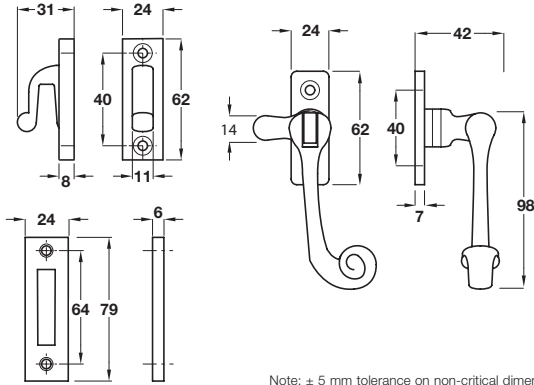


Black antique casement fastener, mortice and hook plates, iron



- > Unhanded
- > Mortice and hook plates included
- > Designed for use with flush or standard rebated frames
- > Matching casement stay is shown below
- > Powder coated iron
- > Order qty: 1 pc



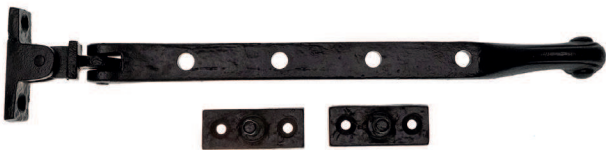
Note: ± 5 mm tolerance on non-critical dimensions



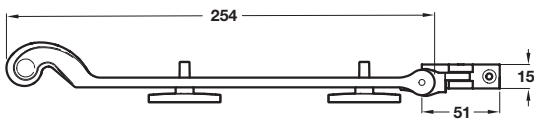
Finish	Unhanded
Black	970.02.053

Black antique casement stay, iron

6



- > Two pins included
- > Length: 254 mm
- > Matching fasteners are shown above
- > Powder coated iron
- > Order qty: 1 pc



Note: ± 5 mm tolerance on non-critical dimensions



Finish	254 mm
Black	970.02.073

Window Fittings: Espagnolette and Casement