

Zwei L STAINLESS STEEL TOWEL BAR



ZL-3201

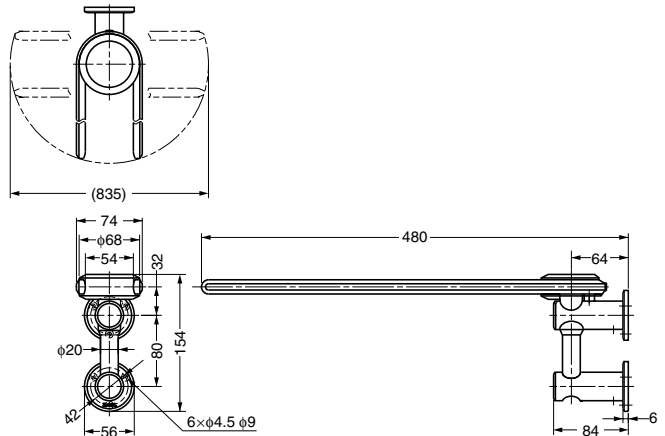


Features

- Made of highly corrosion resistant SUS316
- Ultrapremium Zwei L finish. Zwei L finish: Using top class polishing technology, these products combine the elegance of Satin with the deep glow of a Mirror.

Parts Included

- Countersunk head wood screw 4.1x32 (SUS)
- Lock plug
- Hex key



Item Code	Item Name	Material	Finish	Weight	Box
110-020-413	ZL-3201	Stainless Steel (SUS316)	Zwei L Finish	3135 g	1 pc

Zwei L STAINLESS STEEL TOWEL BAR



ZL-3202

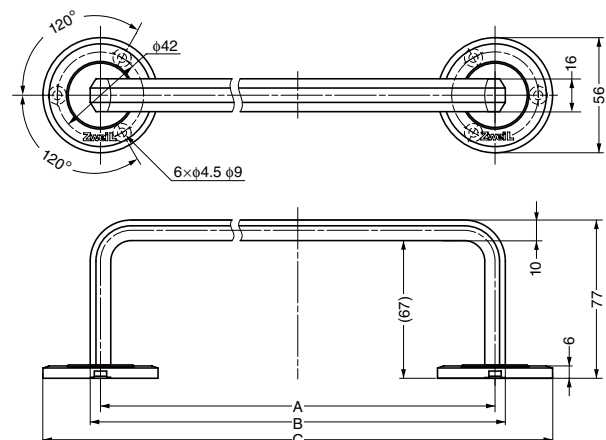


Features

- Made of highly corrosion resistant SUS316
- Ultrapremium Zwei L finish. Zwei L finish: Using top class polishing technology, these products combine the elegance of Satin with the deep glow of a Mirror.

Parts Included

- Countersunk head wood screw 4.1x25 (SUS)
- Lock plug
- Hex key



Item Code	Item Name	Material	Finish	A	B	C	Weight	Box
110-020-414	ZL-3202-480	Stainless Steel (SUS316)	Zwei L Finish	480	490	536	-	1 pc
110-020-415	ZL-3202-640	Stainless Steel (SUS316)	Zwei L Finish	640	650	696	1402 g	1 pc