

Zwei L GLASS SHELF CLAMP



ZL-2201



Features

- Made of highly corrosion resistant SUS316
- Ultrapremium Zwei L finish. Zwei L finish: Using top class polishing technology, these products combine the elegance of Satin with the deep glow of a Mirror.
- Comes with a lever adjuster to do fine adjustments and make sure the glass is level
- Designed to hold glass firmly
- Designed so that installation screw is not visible after installation

Remarks

- Glass thickness : 8 mm or 10 mm.
- Pilot hole $\phi 14$
- Sold by piece.

Parts Included

- Allen key 6
- Hexagon top bolt M8x55
- Plug M8

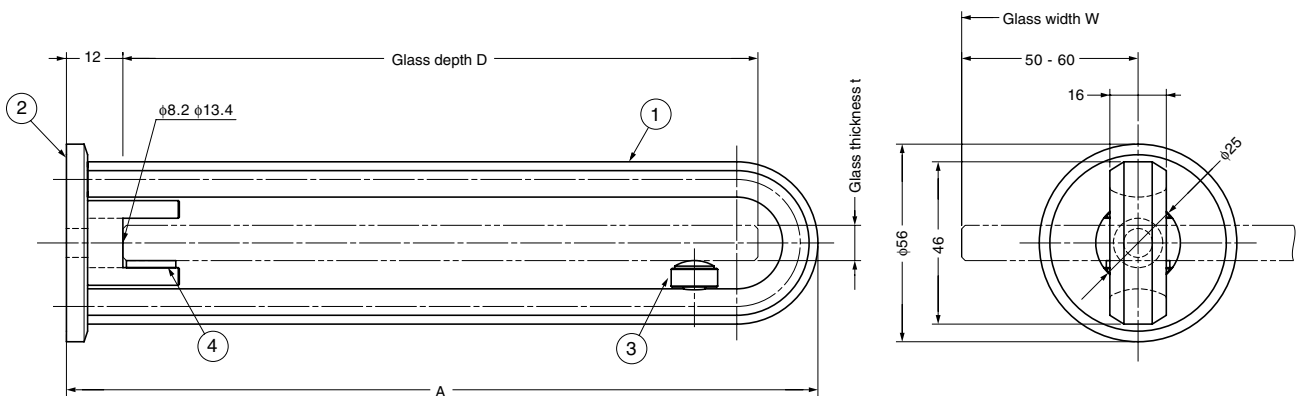
Installation Example



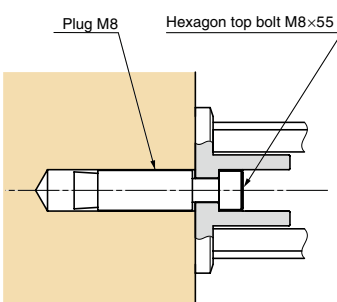
BRACKETS & SHELVING SYSTEM

FOR GLASS

GLASS SHELF CLAMP



Installation



No.	Part Name	Material	Finish/Colour
①	Arm	Stainless Steel (SUS316)	Zwei L Finish
②	Mounting Plate	Stainless Steel (SUS316)	Zwei L Finish
③	Level Adjuster	Stainless Steel (SUS316) / Polyurethane (PUR)	Zwei L Finish/Clear
④	Bumper	Rubber	Black

Item Code	Item Name	A	Glass Size / 2 pcs			Weight	Box
			t	D	W		
120-031-000	ZL-2201-120	150	8 or 10	120	Max. 640	625 g	2 pcs
120-031-001	ZL-2201-180	210	8 or 10	180	Max. 800	625 g	2 pcs
120-031-002	ZL-2201-240	270	8 or 10	240	Max. 960	875 g	2 pcs