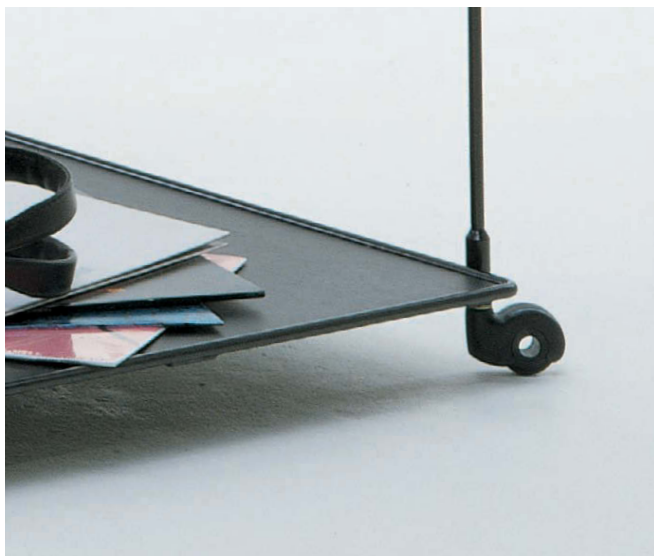
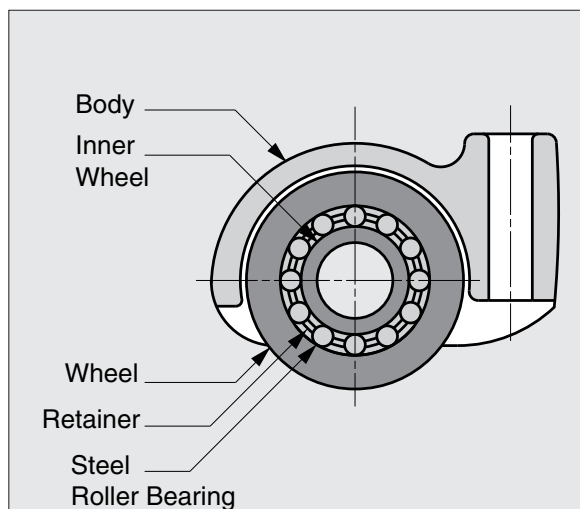


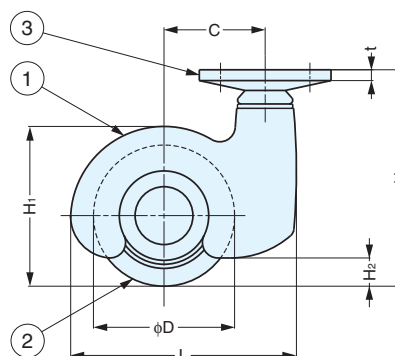
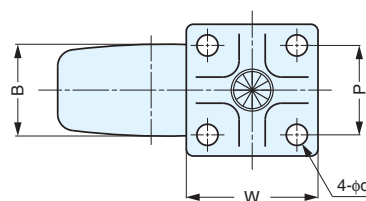
DESIGN CASTER - PL SERIES



PL caster is a swivel caster made from durable Nylon 66 and comes with a steel roller bearing to provide maximum mobility. The unique design of the PL caster makes it perfect for use on service wagons, chairs, display racks, suitcases and other mobile products.



DESIGN CASTER (PLATE TYPE)

PL


No.	Part Name	Material	Finish
①	Body	Polyamide	Black
②	Wheel		
③	Mounting Plate	Steel	Yellow Zinc Chromate

Item No.	D	L	H	H ₁	H ₂	B	W	C	P	d	t	Load Capacity (kg)	Weight (g)	Box (pcs)	Carton (pcs)
PL40P	40	64	56	45	7.5	22.5	34	29.5	25	4.5	2.3	40	95	8	192