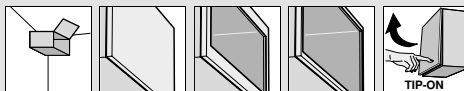


## Lift systems



- ▶ AVENTOS HK-S – stay lift
- ▶▶ Standard | TIP-ON



## Wooden fronts, wide and narrow alu frames

Webcode

DQDD6M



- Well-suited for low frontal heights in the wall cabinet, the high cabinet and over the refrigerator
- Cabinet height KH max. 600 mm
- Silent and effortless closing, thanks to **BLUMOTION**
- Light operating forces
- Perfect motion with a variable stop
- Tool-free assembly
- 3-dimensional front adjustment
- Simple, infinitely variable lift mechanism
- No hinges are necessary
- TIP-ON for handle-less lift systems

**Power factor LF**

Cabinet height KH (mm) x door weight incl. double handle weight (kg)

We recommend the more powerful lift mechanism for overlapping areas.

 Standard

 TIP-ON

## Order information

1	<input type="checkbox"/>	Lift mechanism set			
		<b>Power factor LF</b>	<b>Opening angle</b>		<b>Part no.</b>
		220–500	107°	1	20K2B00.02
		400–1000	107°		20K2C00.02
		960–2215	107°		20K2E00.02

## Composed of:

- 1a 2 x Lift mechanism (symmetrical)  
 1b 2 x Cover cap left/right  
 HGR | SW | TGR  
 – 6 x Chipboard screws Ø 4 x 35 mm

## Note

The power factor LF can be increased by 50 % when a third lift mechanism is used

<sup>1</sup> Lift mechanisms are unsprung

1	<input checked="" type="checkbox"/>	Lift mechanism set for TIP-ON			
		<b>Power factor LF</b>	<b>Opening angle</b>		<b>Part no.</b>
		220–500	107°	1	20K2B00T
		400–1000	107°		20K2C00T
		960–2215	107°		20K2E00T

## Composed of:

- 1a 2 x Lift mechanism (symmetrical)  
 1b 2 x Cover cap left/right  
 HGR | SW | TGR  
 – 6 x Chipboard screws Ø 4 x 35 mm

## Note

The power factor LF can be increased by 50 % when a third lift mechanism is used

<sup>1</sup> Lift mechanisms are unsprung

4	<input type="checkbox"/>	Front fixing bracket			
		<b>Version</b>			
		<b>Fixing method</b>	<b>Spacing (mm)</b>		<b>Part no.</b>
		Screw-on	0	1	175H3100
		EXPANDO	0		177H3100E
		Knock-in	0		177H3100

## Wooden fronts and wide alu frames

All horizontal steel mounting plates with 0 mm spacing possible

<sup>1</sup> Use 2 chipboard screws (609.1x00) per side for wooden fronts

<sup>1</sup> Use 2 counter sunk self tapping screws (660.0950) per side for wide alu frames

4	<input type="checkbox"/>	Front fixing bracket set			
		<b>Version</b>			<b>Part no.</b>
		Narrow alu frames		1 x	20K4A00A02

6	<input checked="" type="checkbox"/>	TIP-ON set			
		<b>Version</b>	<b>Cabinet height KH (mm)</b>		<b>Part no.</b>
		Short version	Up to 600		956.1004

## Composed of:

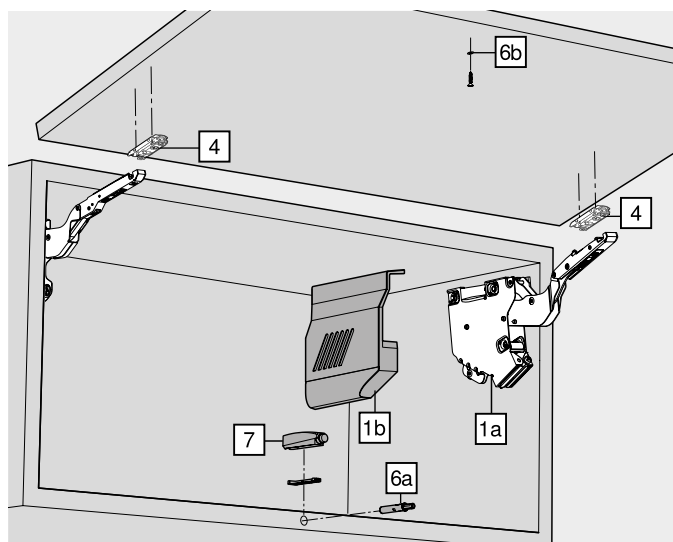
- 6a 1 x TIP-ON  
 6b 1 x Screw-on catch plate  
 – 1 x Chipboard screw 609.1500  
 – 1 x Glue-on catch plate

## a Accessories

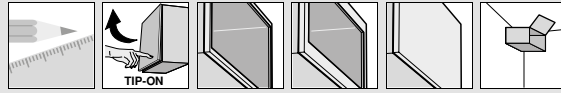
–	<input type="checkbox"/>	Opening angle stop			
		<b>Opening angle</b>	<b>Colour</b>		<b>Part no.</b>
		100°	TGR		20K7A41
		75°	R7037		20K7A11

7	<input checked="" type="checkbox"/>	Adapter plate			
		<b>Version</b>	<b>Colour</b>		<b>Part no.</b>
		Inline adapter plate – short version	SW   TS   R7036   NI-L		956.1201
		Cruciform adapter plate – long version	R7036		956A1501

Colour		Colour	
HGR	Light grey	R7036	RAL 7036 platinum grey
SW	Silk white	R7037	RAL 7037 dust grey
TGR	Dark grey	NI-L	Nickel lacquered
TS	Terra black		



AVENTOS HK-S – stay lift  
Standard | TIP-ON



Lift systems

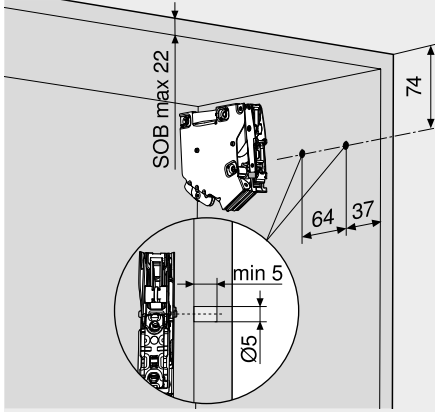


Wooden fronts, wide and narrow alu frames

Webcode  
DQDD6M

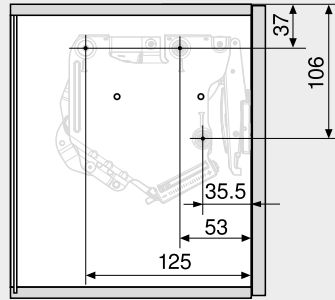
Planning

Peg position



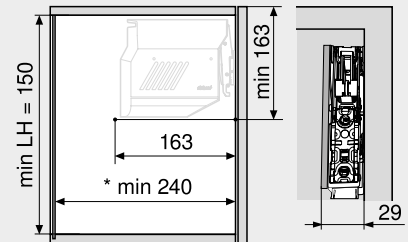
SOB Top panel thickness

Fixing position



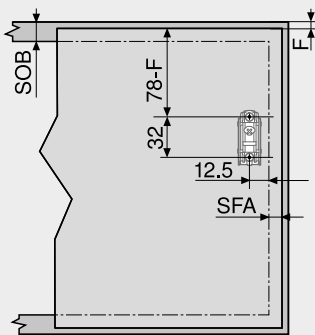
3 x chipboard screws Ø 4 x 35 mm

Space requirement



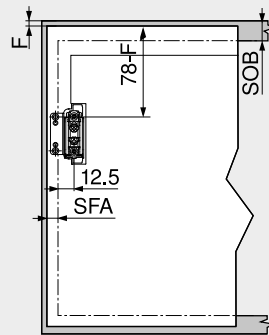
\* Min. 240 mm with visible wall hanging bracket

Front assembly – wooden fronts and wide alu frames



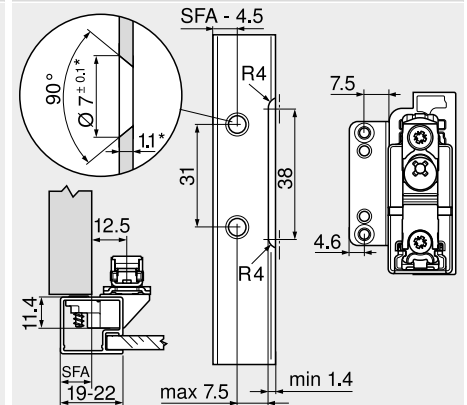
Use 2 chipboard screws (609.1x00) for wooden fronts  
Use 2 counter sunk self tapping screws (660.0950) for wide alu frames  
SOB Top panel thickness  
F Gap  
SFA Front overlay of the side panel

Front assembly – narrow alu frames



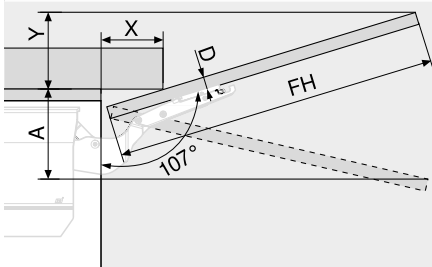
SOB Top panel thickness  
F Gap  
SFA Front overlay of the side panel

Planning – narrow alu frames



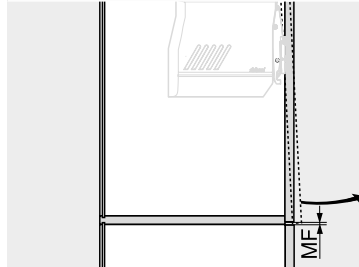
For frame width 19 mm, a side front overlay SFA of 11–18 mm is possible  
\* When changing material thickness, adjust the assembly dimensions accordingly

Space requirement – cornice | crown



Opening angle stop		Space requirement (mm)			
Without		$Y = FH \times 0.29 - 15 + D$			
100°		$Y = FH \times 0.17 - 15 + D$			
75°		$A = FH \times 0.26 + 15 - D$			
FH Front height					
D (mm)	16	19	22	26	–
X (mm)	70	59	49	35	–

Minimum gap



MF Minimum gap 2 mm

Page instructions

Overview – AVENTOS HK-S	75
Overview – assembly devices	595
More technical details	686

Assembly, removal and adjustment



Short-URL

[www.blum.com/a150](http://www.blum.com/a150)