

Lift systems



- ▶ AVENTOS HK top – stay lift
- ▶▶ TIP-ON

Wooden fronts, wide and narrow alu frames – TIP-ON

Webcode

DQHS7Y



- TIP-ON for handle-less lift systems
- Cabinet height KH 205–600 mm
- Cabinet width KB up to 1800 mm
- For drilling or in combination with adapter plates

Power factor LF

Cabinet height KH (mm) x door weight incl. double handle weight (kg)

We recommend the more powerful lift mechanism for overlapping areas.

TIP-ON

Order information

1 Lift mechanism set for TIP-ON			
Fixing with pre-mounted system screws			
Power factor LF	Opening angle	Part no.	
420–1610	107°	22K2310T	
930–2800	107°	22K2510T	
1730–5200	100°	22K2710T	
3200–9000	100°	22K2910T	

Composed of:

- 1 2 x Symmetrical lift mechanism with pre-mounted system screws

Note

Max. door weight 18 kg for two lift mechanisms.

The power factor LF can be increased by 50 % when a third lift mechanism is used. The power factor LF and the door weight can be increased by 50 % when a third lift mechanism is used. The reason for this is to prevent the middle of the front from sagging when open

1 Lift mechanism set for TIP-ON			
Fixing with chipboard screws with positioning system			
Power factor LF	Opening angle	Part no.	
420–1610	107°	22K2300T	
930–2800	107°	22K2500T	
1730–5200	100°	22K2700T	
3200–9000	100°	22K2900T	

Composed of:

- 1 2 x Lift mechanism (symmetrical) incl. positioning system
- 8 x Chipboard screws Ø 4 x 35 mm

Note

Max. door weight 18 kg for two lift mechanisms.

The power factor LF can be increased by 50 % when a third lift mechanism is used. The power factor LF and the door weight can be increased by 50 % when a third lift mechanism is used. The reason for this is to prevent the middle of the front from sagging when open

3 Cover cap set			
Colour	Material	Part no.	
HGR SW TGR	Nylon	22K8000	

Composed of:

- 1 x Cover cap left
- 3b 1 x Cover cap right
- 3c 2 x Branding element, stamped with Blum logo
- IN-G

4 Front fixing bracket set			
Version	Part no.		
Wooden fronts and wide alu frames	1	20S4200	
Narrow alu frames		20S4200A	
1 Use 4 chipboard screws (609.1x00) per side for wooden fronts			
1 Use 4 counter sunk self tapping screws (660.0950) per side for wide alu frames			

4 Front fixing bracket			
Version	Part no.		
Thin fronts		20S42T1	

EXPANDO T suitable for thin fronts – see page instructions

6 TIP-ON set			
Version	Cabinet height KH (mm)	Part no.	
Short version	Up to 500	956.1004	
Extended version	Starting at 501	956A1004	

Composed of:

- 6a 1 x TIP-ON
- 6b 1 x Screw-on catch plate
- 6c 1 x Chipboard screw 609.1500
- 1 x Glue-on catch plate

Accessories

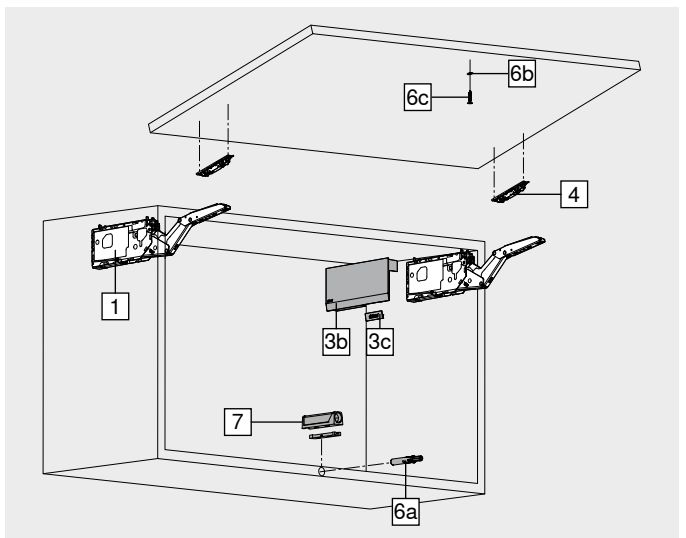
7 Adapter plate			
Version	Colour	Part no.	
Inline adapter plate – short version	SW TS R7036 NI-L	956.1201	
Inline adapter plate – long version	SW TS R7036 NI-L	956A1201	
Cruciform adapter plate – long version	R7036	956A1501	

Colour

- HGR Light grey
- SW Silk white
- TGR Dark grey
- TS Terra black

Colour

- R7036 RAL 7036 platinum grey
- NI-L Nickel lacquered
- IN-G Inmold brushed stainless steel

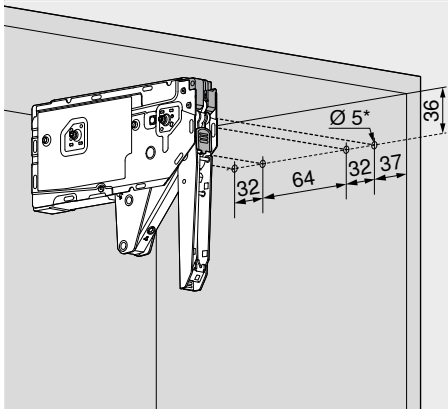


Wooden fronts, wide and narrow alu frames – TIP-ON

Webcode
DQHS7Y

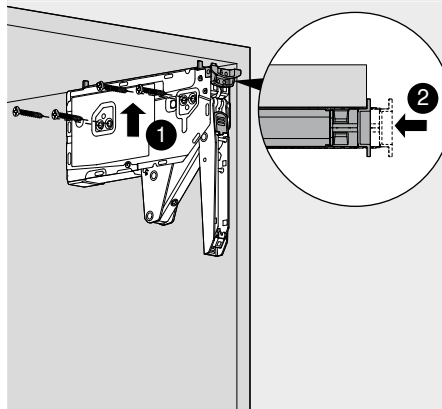
Planning

Drilling position – system screws



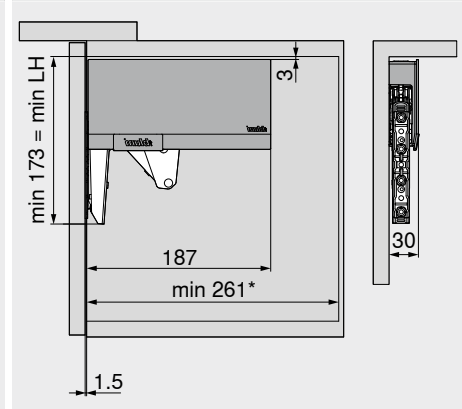
* Drilling depth 11.5 mm

Drilling position – chipboard screws



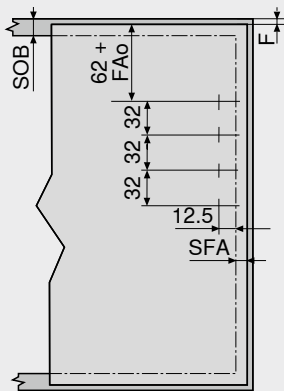
4 x chipboard screws Ø 4 x 35 mm

Space requirement



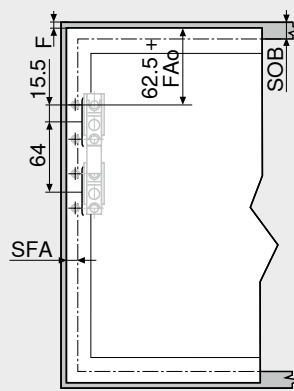
LH Internal cabinet height
* Min. 261 mm with visible wall hanging bracket

Front assembly – wooden fronts and wide alu frames



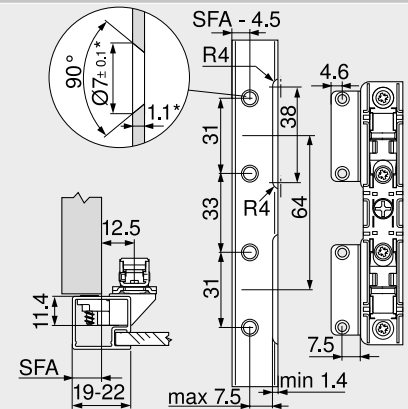
Use 4 chipboard screws (609.1x00) for wooden fronts
Use 4 counter sunk self tapping screws (660.0950) for wide alu frames
SOB Top panel thickness
FAo Upper front overlay
Max. 25.4 mm
SFA Front overlay of the side panel
F Gap

Front assembly – narrow alu frames



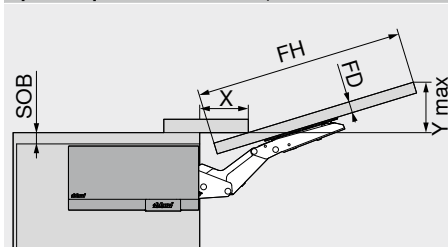
SOB Top panel thickness
FAo Upper front overlay
Max. 25.4 mm
SFA Front overlay of the side panel
F Gap

Narrow alu frames



For frame width 19 mm, a side front overlay SFA of 11–18 mm is possible
* When changing material thickness, adjust the assembly dimensions accordingly

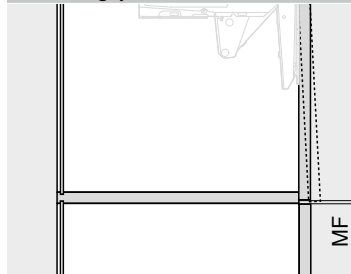
Space requirement – cornice | crown



Space requirement (mm)

At max. opening angle
 $Y = FH \times 0.29 + FD - SOB$
FD (mm) 16 19 22 26 28
X (mm) 68 57 47 33 27
SOB Top panel thickness
FH Front height
FD Front thickness

Minimum gap



MF Minimum gap 2 mm

Page instructions

Overview – AVENTOS HK top	47
TIP-ON 956x	54
Fixing system for thin fronts – EXPANDO T	554
Assembly recommendation and limitation of liability – EXPANDO T	555
Overview – assembly devices	561
More technical details	662

AVENTOS HK top

Short-URL

www.blum.com/i014

Assembly, removal and adjustment

Short-URL

www.blum.com/a170

