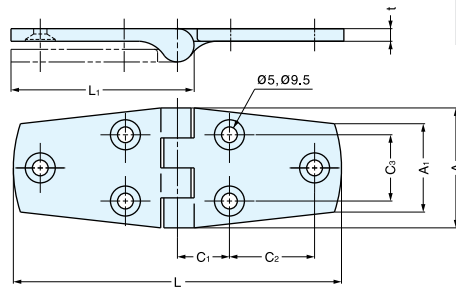


# BUTT HINGE



28000, 28500



- 316 Stainless Steel construction ideal for exposed application.
- Door weight: Max. 4kg/pair (8.8lbs/pair)

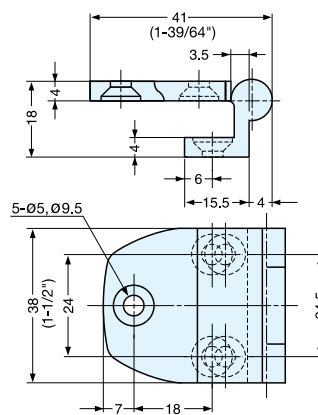
Material	Finish
316 Stainless Steel	Mirror

Item No.	L	L <sub>1</sub>	C <sub>1</sub>	C <sub>2</sub>	C <sub>3</sub>	A	A <sub>1</sub>	t	Weight (g)	Box (pcs)	Carton (pcs)
28500	74 ( 2-29/32" )	42	13	17	20	38 (1-1/2")	28	4	85	20	100
28000	104 ( 4-3/32" )	57	16.5	27	21				115		

# BUTT HINGE



28100



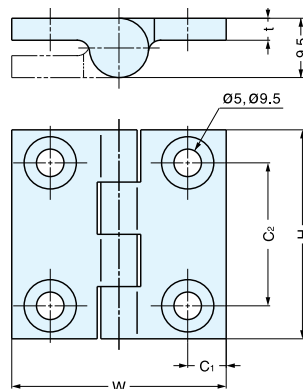
- 316 Stainless Steel construction ideal for exposed application.
- Door weight: Max. 4kg/pair (8.8lbs/pair)

Item No.	Weight (g)	Box (pcs)	Carton (pcs)	Material	Finish
28100	78.5	20	100	316 Stainless Steel	Mirror

# BUTT HINGE



28300, 28400



- 316 Stainless Steel construction ideal for exposed application.
- Door weight: Max. 4kg/pair (8.8lbs/pair)

Material	Finish
316 Stainless Steel	Mirror

Item No.	H	W	t	C <sub>1</sub>	C <sub>2</sub>	Weight (g)	Box (pcs)	Carton (pcs)
28300	38 ( 1-1/2" )	39 (1-17/32")	4	7	26	55	20	100
28400	50 (1-31/32")	50 (1-31/32")		7.5	34	90		