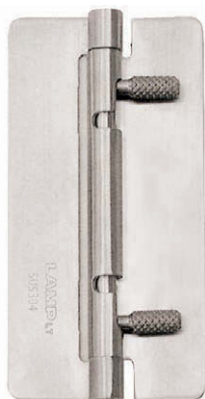


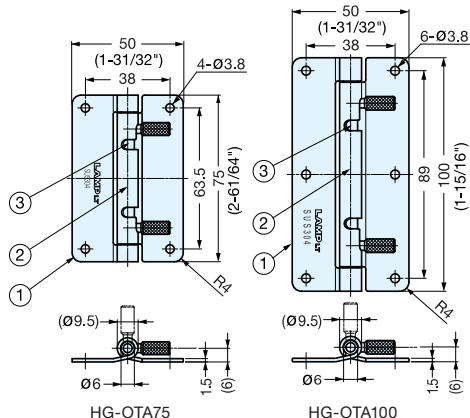
# QUICK RELEASE HINGE



## HG-OT



HG-OTB shown



HG-OTA75

HG-OTA100

- Easy and quick to install/remove doors.
- With or without holes available.



Item No.	Holes	Weight (g)	Box (pcs)	Carton (pcs)
HG-OTA 75	With screw holes	65	40	160
HG-OTB 75	Without screw holes			
HG-OTA100	With screw holes	80	30	120
HG-OTB100	Without screw holes			

No.	Part Name	Material	Finish
①	Plate	304 Stainless Steel	Satin
②	Spring		
③	Hinge Pin	303 Stainless Steel	

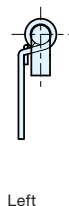
# SPRING LOADED PIVOT HINGE



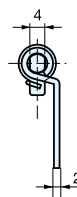
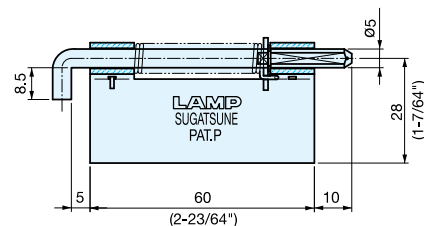
## HG-PV60AC



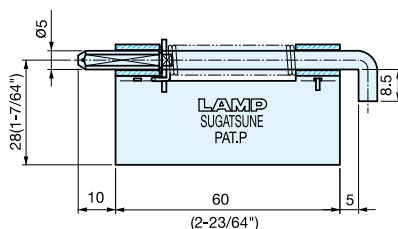
PAT.P



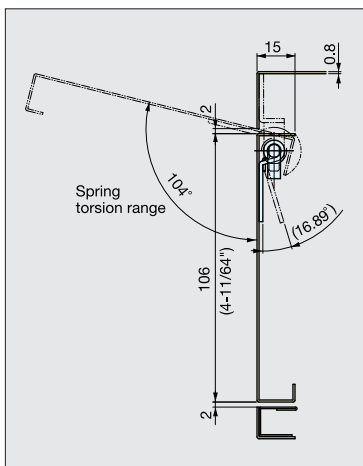
Left



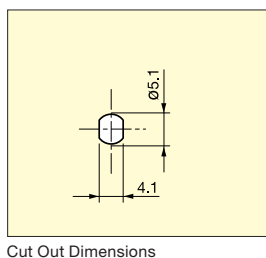
Right



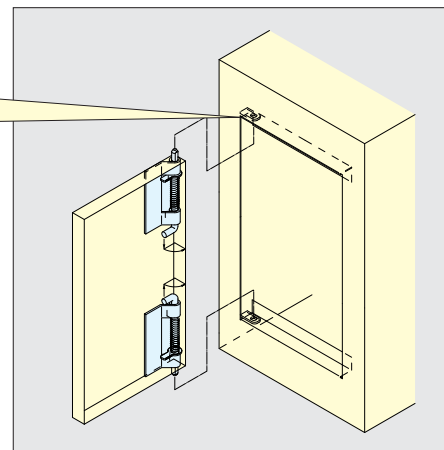
- Spring loaded for self closing.
- Lift pin for easy door installation and removal.
- Torsion moment (Hinge closed): 0.76 kgf-cm (0.66 lb-in) per piece



Installation



Cut Out Dimensions



Item No.	Weight (g)	Box (pcs)	Carton (pcs)
HG-PV60AC-L	38	50	200
HG-PV60AC-R			

Material	Finish
304 Stainless Steel	Plain