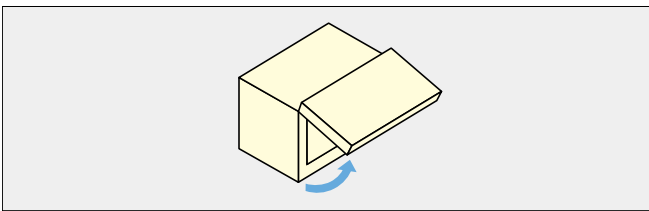


ADJUSTABLE SOFT-DOWN STAY



NSDX-35 (R/L)



Features

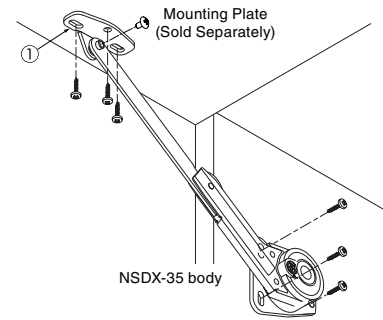
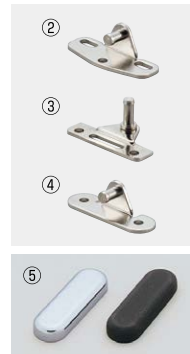
- For upward-opening flap doors.
- Built-in damper causes flap to close gently preventing slamming.
- Built-in catch holds flap in fully opened position position.
- Can also be used with concealed, piano, or butt hinges.
- Depending on installation position, opening angle can be set to 80°, 90° or 100°.
- Two stop version also available (adds another stop at either 60°, 65° or 70° depending on installation position)
- Successfully passed 30,000 open/close cycles in a private test.
- Closing speed adjustable.

Torque

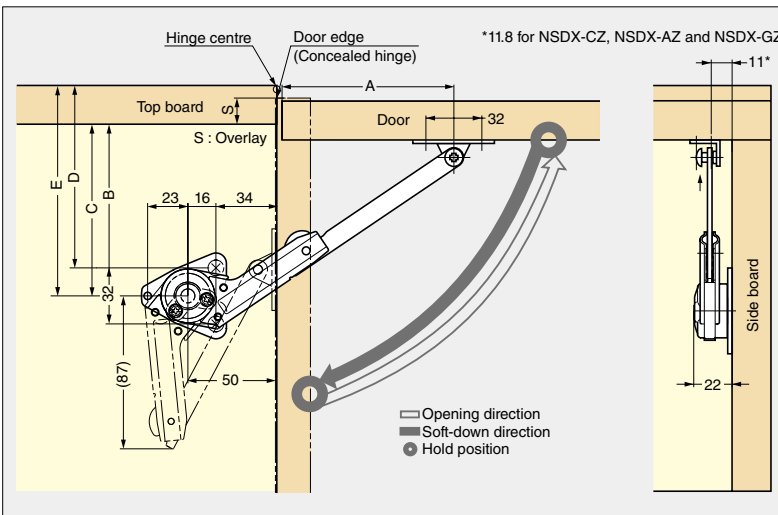
- With 1 stay
Torque = 1.96 - 6.86 N·m (20 - 70 kgf·cm)
- With 2 stays, the torque will be doubled.

Sold Separately

- ① Mounting plate NSDX-SZ (below)
- ② Mounting plate NSDX-CZ (P.522)
- ③ Mounting plate NSDX-AZ for 20 mm aluminium frame (P.522)
- ④ Mounting plate NSDX-GZ for glass door (P.522)
- ⑤ SDS-50G for glass door (P.522)



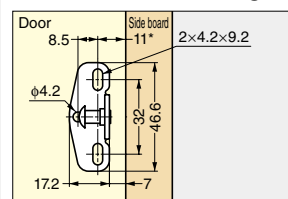
Installation (Opening Angle 90°)



Hinge Type	A	B	C	D	E	
80° opening	Concealed Hinge	106	105 -S	121-S	-	-
	Single Knuckle Hinge	100	-	-	99	115
90° opening	Concealed Hinge	98	97 -S	113-S	-	-
	Single Knuckle Hinge	91.5	-	-	90.5	106.5
100° opening	Concealed Hinge	92.5	91.5-S	107.5-S	-	-
	Single Knuckle Hinge	85	-	-	84	100

S = Overlay

Installation for Mounting Plate



Body

Item Code	Item Name	L/R	Material	Finish	Torque Moment /piece	Catch Function		Weight	Box	Carton
						Opened Position	Closed Position			
180-109-028	NSDX-35R	Right	Zinc Alloy (ZDC), Steel	Nickel	1.96 - 6.86 N·m (20 - 70 kgf·cm)	○	○	181 g	20 pcs	80 pcs
180-109-029	NSDX-35L	Left	Zinc Alloy (ZDC), Steel	Nickel		○	○	181 g	20 pcs	80 pcs
180-109-026	NSDX-35R 2S	Right	Zinc Alloy (ZDC), Steel	Nickel	1.96 - 4.9 N·m (20 - 50 kgf·cm)	○	○	181 g	20 pcs	80 pcs
180-109-027	NSDX-35L 2S	Left	Zinc Alloy (ZDC), Steel	Nickel		○	○	181 g	20 pcs	80 pcs

Mounting Plate (Sold Separately)

Item Code	Item Name	Type	Weight	Box	Carton
180-109-032	NSDX-SZ	Screw on	14 g	160 pcs	640 pcs

SDS Face Plate (Sold Separately)

Item Code	Item Name	Material	Finish/Colour	Weight	Box	Carton
180-100-260	SDS-50G-CR	Zinc Alloy (ZDC)/ABS	Chrome/Black	25 g	50 pcs	200 pcs
180-928-046	SDS-50G-BL	Zinc Alloy (ZDC)/ABS	Black	25 g	50 pcs	200 pcs

*Please use with NSDX-GZ mounting plate.

