

EZ-SLU

LIFT ASSIST MECHANISM

- EZ-SLU mechanism assists to open the door easily.
- Large door lift semi up-over.
- No concealed hinge required.
- No guide bar required.
- Patented LAPCON technology provides smooth and quiet motion.
- Recommended Door Size and Weight :
Width, 600-900 mm
Height, 600-750 mm
Weight 6-10 kg

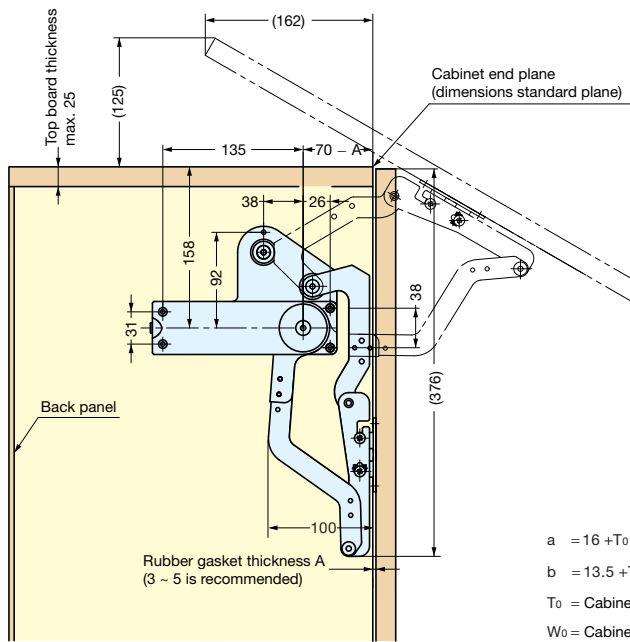


LIFT ASSIST MECHANISM



EZ-SLU

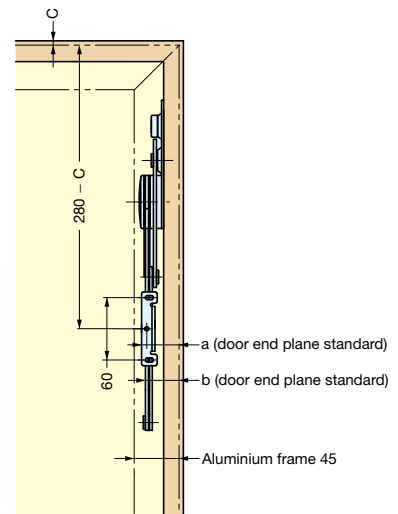
- EZ-SLU mechanism assists to open the door easily.
- Large door lift semi up-over.
- No concealed hinge required.
- No guide bar required.
- Patented LAPCON technology provides smooth and quiet motion.
- Recommended Door Size and Weight :
Width, 600-900 mm
Height, 600-750 mm
Weight 6-10 kg/each door



$$a = 16 + T_0 - \left(\frac{W_0 - W_1}{2} \right)$$

$$b = 13.5 + T_0 - \left(\frac{W_0 - W_1}{2} \right)$$

T_0 = Cabinet side board
 W_0 = Cabinet overall width
 W_1 = Door overall width



Material	Finish
Steel	Nickel
Plastic	Light Grey

Item No.	Torque Moment (kg cm)
EZ-SLU-3	180-244
EZ-SLU-4	245-309
EZ-SLU-5	310-375

Arm Mounting Plate (Sold separately, please specify when ordering)

Item No.	Applicable door
SLUH-SZ	Wood door or 45mm width aluminum frame door
SLUH-AZ	20mm width aluminum frame door

