

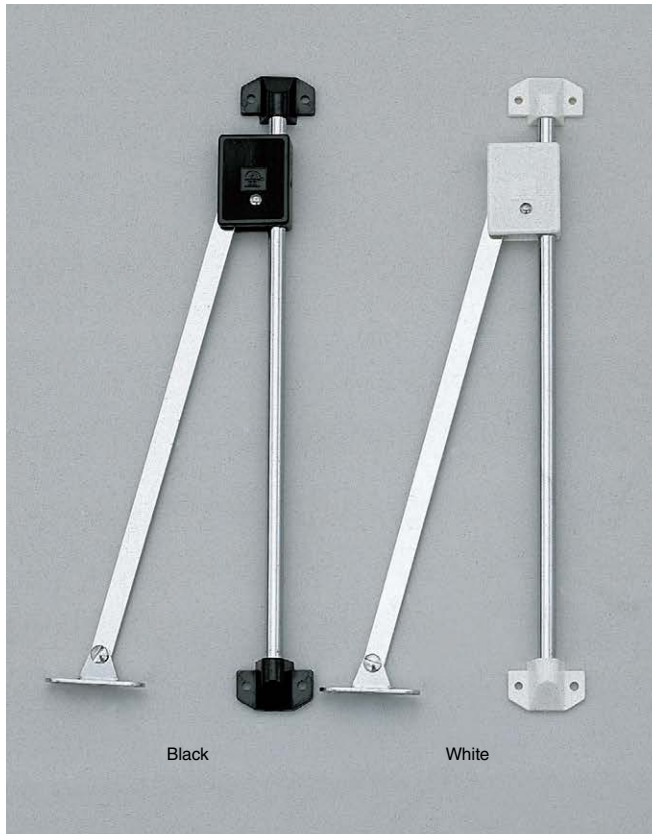
LID STAY

L=R

BF-2

LID SUPPORTS

LID STAY



Black

White

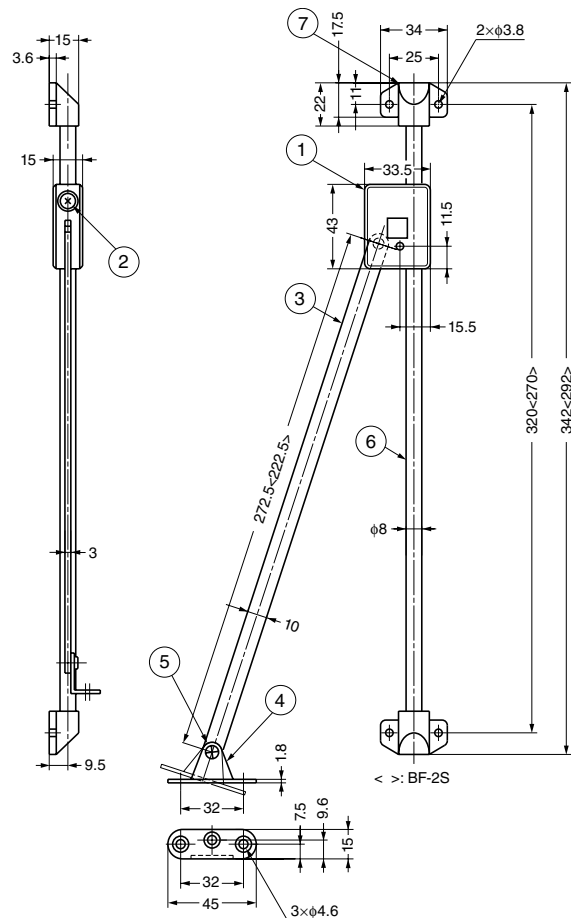
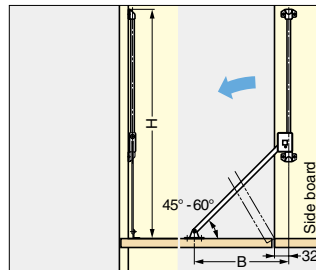
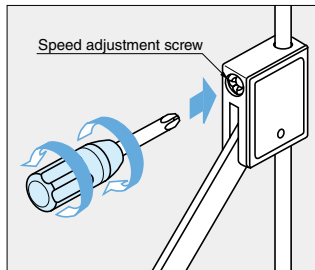
Features

- Great solution for writing desks.
- Depending on use or door size, opening speed can be adjusted.
- Non-handed.

Remarks

- Door size: Max. width 900 mm x height 400 mm (Max. weight 6kg).
- Please use only a single stay per door.
- In case items are placed on the door or maintenance is being performed on the door, further reinforcement besides the stay is required.

Speed Adjustment



No.	Part Name	Material	Finish/Colour
①	Brake	Polyacetal (POM)	White/Black
②	Speed Adjustment Screw	Steel	Chrome
③	Stay	Steel	Chrome
④	Bracket	Steel	Chrome
⑤	Screw	Steel	Chrome
⑥	Rod	Steel	Chrome
⑦	Bracket	Polyamide (PA)	White/Black

Item Code	Item Name	Colour	H		B		Weight	Box	Carton
			Max. (60°)	Min. (45°)	Max. (60°)	Min. (45°)			
180-100-010	BF-2SW	White	459	424	130	177	195 g	10 pcs	100 pcs
180-100-011	BF-2SB	Black	459	424	130	177	195 g	10 pcs	100 pcs
180-100-012	BF-2LW	White	552	509	156	212	225 g	10 pcs	100 pcs
180-100-013	BF-2LB	Black	552	509	156	212	225 g	10 pcs	100 pcs