

LID STAY

TEST METHOD 16

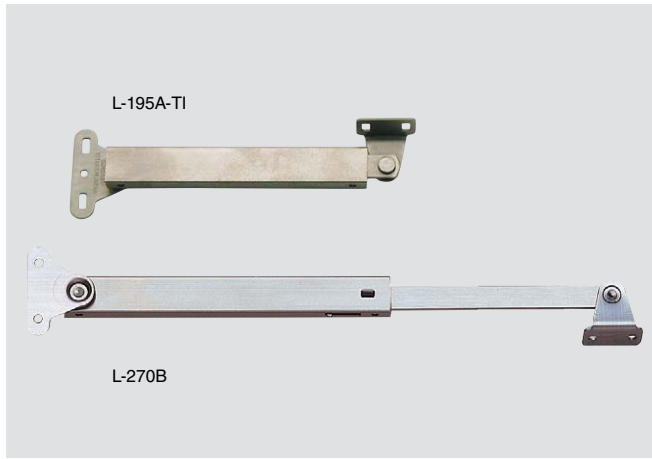
L=R

STAINLESS 304 STEEL

L-195, L-270

LID SUPPORTS

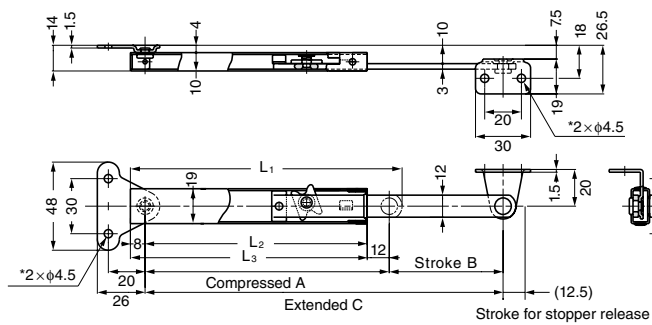
LID STAY



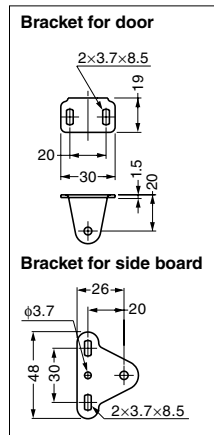
Features

- Door flap locks in opened position. To release, push door flap into fully opened position.
- When closed, the extendible section of the arm is stored inside the body, allowing the cabinet interior to be used effectively.
- Only one stay is required per door flap.
- Non-handed.

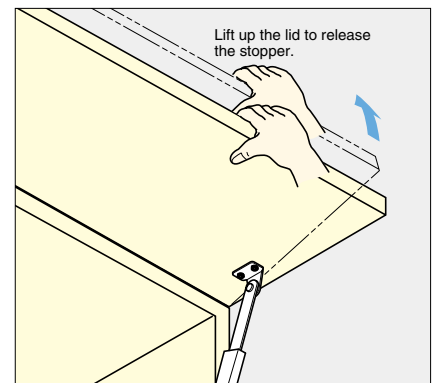
L-195B/L-270B



L-195A/L-270A



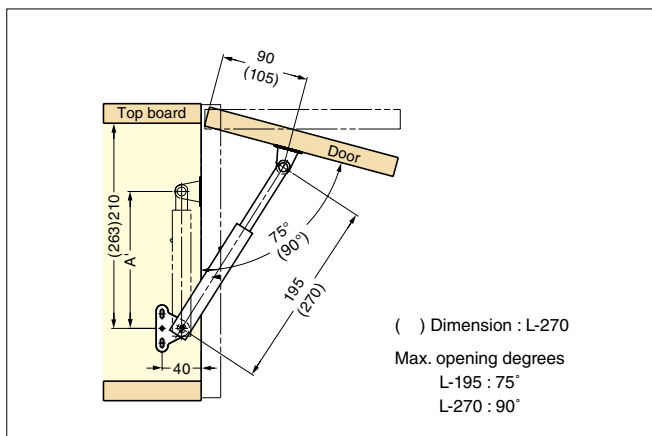
Stopper Release



*Type A and B are different in hole shape.

Item Code	Item Name	Material	Finish	L ₁	L ₂	L ₃	A	B	C	Approx. Door Height	Load Capacity	Weight	Box	Carton
180-100-114	L-195A	Stainless Steel (SUS304)	Satin	148	121	129	133	62	195	250 - 350	147 N/pc (15 kgf/pc)	120 g	10 pcs	100 pcs
180-100-115	L-195B	Stainless Steel (SUS304)	Satin	148	121	129	133	62	195	250 - 350		125 g	10 pcs	100 pcs
180-100-118	L-195A-TI	Titanium	Satin	148	121	129	133	62	195	250 - 350		71 g	10 pcs	100 pcs
180-100-116	L-270A	Stainless Steel (SUS304)	Satin	185	158	166	170	100	270	320 - 500		150 g	10 pcs	100 pcs
180-100-117	L-270B	Stainless Steel (SUS304)	Satin	185	158	166	170	100	270	320 - 500		183 g	10 pcs	100 pcs
180-100-119	L-270A-TI	Titanium	Satin	185	158	166	170	100	270	320 - 500		87 g	10 pcs	100 pcs

With Concealed Hinge



With Single Knuckle Hinge

