

LID STAY

TEST METHOD 16

L=R

STAINLESS 304 STEEL

LB-215, LB-290

LID SUPPORTS

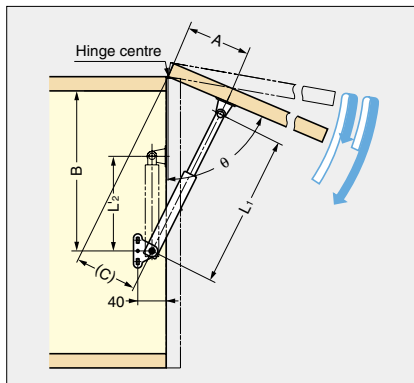
LID STAY



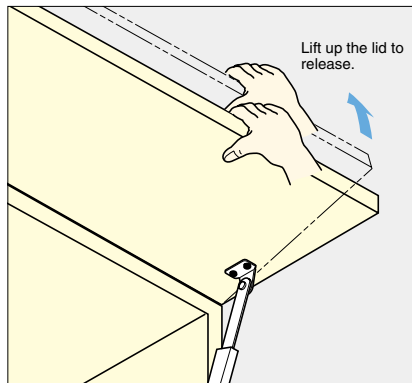
Features

- Can be used singly or in pairs.
- Door flap locks in opened position. To release, push door flap into fully opened position.
- When closed, the extendible section of the arm is stored inside the body, allowing the cabinet interior to be used effectively.
- Non-handed.

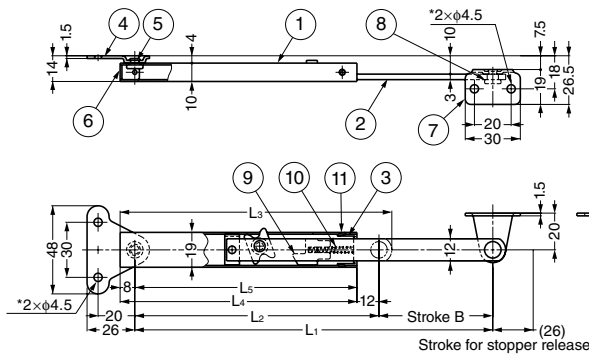
Installation



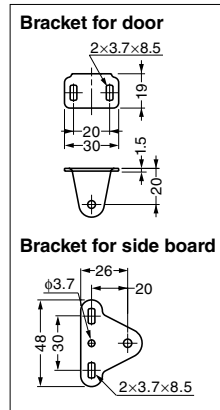
Stopper Release



LB-215B/LB-290B



LB-215A/LB-290A



No.	Part Name	Material	Finish
①	Body	Stainless Steel (SUS304)	Satin
②	Arm	Stainless Steel (SUS304)	-
③	End Cap	Stainless Steel (SUS304)	Satin
④	Case Bracket	Stainless Steel (SUS304)	Satin
⑤	Bottom Shaft	Stainless Steel (SUSXM-7)	-
⑥	Bottom Cap	Stainless Steel (SUS304)	Satin
⑦	Arm Bracket	Stainless Steel (SUS304)	Satin
⑧	Top Shaft	Stainless Steel (SUSXM-7)	-
⑨	Slide Parts	Zinc Alloy (ZDC)	-
⑩	Spring	Stainless Steel (SUS304)	-
⑪	Blind Rivet	Stainless Steel	-

*Type A and B are different in hole shape.

Item Code	Item Name	L ₁	L ₂	L ₃	L ₄	L ₅	S	A	B	C	θ	Approx. Door Height	Load Capacity	Weight	Box	Carton
180-100-110	LB-215A	215	153	168	149	141	62	90	225	91.8	67°	260 - 350	147 N/pc (15 kgf/pc)	149 g	10 pcs	100 pcs
180-100-112	LB-215B	215	153	168	149	141	62	90	225	91.8	67°	260 - 350		149 g	10 pcs	100 pcs
180-100-120	LB-290A	290	190	205	186	178	100	105	280	102.9	80°	340 - 500		166 g	10 pcs	100 pcs
180-100-121	LB-290B	290	190	205	186	178	100	105	280	102.9	80°	340 - 500		166 g	10 pcs	100 pcs