

MINI-DOOR CLOSER (W/DAMPER)



YMC

LID SUPPORTS

MINI-DOOR CLOSERS

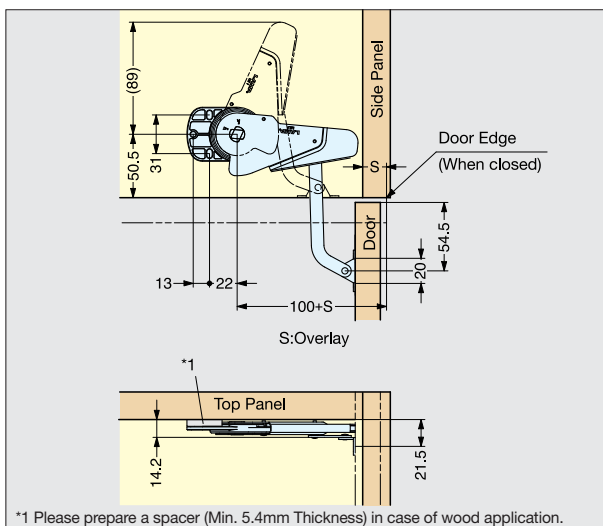
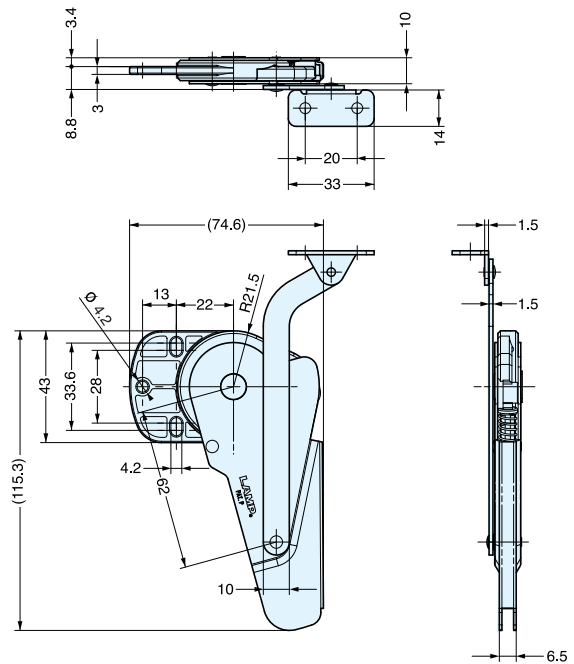


PAT.P

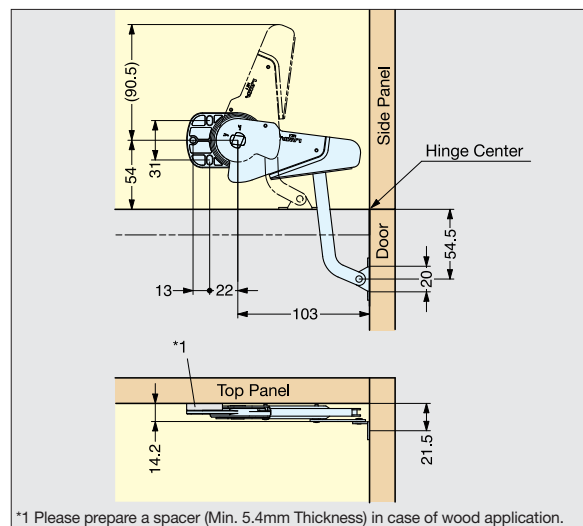
- Thin door closer for small size doors.
- Equipped with dampening mechanism for soft close.
- Stay will hold the door in 90° open position.
- Push the door to close. Once pushed, stay will gently pull the door and close.
- Thin body designed to be installed on top panel.
- Durable stainless steel construction.
- Screws not included.



YMC-R type



Installation (With Concealed Hinge)



Installation (With Piano / Butt Hinge)

Item No.		Opening Angle	Door Weight (kg) (0.66~1.54 lbs)	Door Width (mm) (11-13/16")	Weight (g)	Box (pcs)	Carton (pcs)
Left	Right						
YMC-L	YMC-R	0°~ 90°		Max. 300 (11-13/16")	103	50	500

Material	Finish / Color
PBT / 304 Stainless Steel	Grey / Plain