

Hinge systems



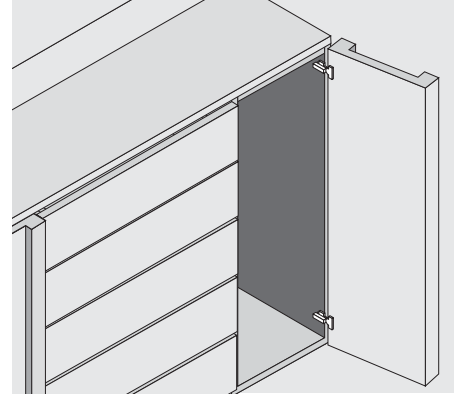
- ▶ CLIP top BLUMOTION / CLIP top – hinges
- ▶▶ Profile door application

Profile/thick door hinge



- Hinge for thick doors and doors with profile
- CLIP top BLUMOTION with integrated BLUMOTION (with deactivation option)
- CLIP top with or without closing mechanism (spring)
- All metal hinge, nickel plated
- 95° opening angle
- 3-dimensional front adjustment
- Convenient spiral-tech depth adjustment
- Tool-free door to cabinet assembly and removal
- With INSERTA tool-free hinge to door assembly

Application



Order information

Overlay application			
		INSERTA	
Icon	Boss Hinge	Spring	Part no.
	CLIP top BLUMOTION	With	71B9590
	CLIP top	With	71T9590B

Dual application			
		INSERTA	
Icon	Boss Hinge	Spring	Part no.
	CLIP top BLUMOTION	With	71B9690
	CLIP top	With	71T9690B

Inset application			
		INSERTA	
Icon	Boss Hinge	Spring	Part no.
	CLIP top BLUMOTION	With	71B9790
	CLIP top	With	71T9790B

Screw-on			
Icon	Boss Hinge	Spring	Part no.
	CLIP top BLUMOTION	With	71B9550
	CLIP top	With	71T9550
	CLIP top	Without	70T9550.TL

Screw-on			
Icon	Boss Hinge	Spring	Part no.
	CLIP top BLUMOTION	With	71B9650
	CLIP top	With	71T9650
	CLIP top	Without	70T9650.TL

Screw-on			
Icon	Boss Hinge	Spring	Part no.
	CLIP top BLUMOTION	With	71B9750
	CLIP top	With	71T9750
	CLIP top	Without	70T9750.TL

Knock-in			
Icon	Boss Hinge	Spring	Part no.
	CLIP top BLUMOTION	With	71B9580
	CLIP top	With	71T9580

Knock-in			
Icon	Boss Hinge	Spring	Part no.
	CLIP top BLUMOTION	With	71B9680
	CLIP top	With	71T9680

Knock-in			
Icon	Boss Hinge	Spring	Part no.
	CLIP top BLUMOTION	With	71B9780
	CLIP top	With	71T9780

Accessories			
Hinge arm cover cap		Part no.	
Print/Stamp			
Plain			70.1563
Screen print	Blum		70.1563.BL

Accessories			
Hinge arm cover cap		Part no.	
Print/Stamp			
Plain			70.1663
Stamped	Blum		70.1663.BP

Accessories			
Hinge arm cover cap		Part no.	
Print/Stamp			
Plain			70.1663
Stamped	Blum		70.1663.BP

Note

CLIP top BLUMOTION and CLIP top hinges cannot be combined with each other on a front.

Accessories – general			
Hinge boss cover cap		Part no.	
Boss	Screw-on/knock-in		
CLIP top BLUMOTION			70T3504
CLIP top			70T1504

Insertion ram			
Boss	Knock-in	Part no.	
Nylon			MZM.0040

TIP-ON for doors			
Hinge	CLIP top unsprung	Part no.	
Standard version			955.1004
Extended version			955A1004

Chipboard screws			
Boss	Screw-on	Part no.	
3.5 x 15 mm			609.1500
3.5 x 17 mm			609.1700

Hinge boss spacing			
Boss	Screw-on	Part no.	
CLIP top BLUMOTION	1.5 mm		70T3507.21

Page instructions		
Overview – CLIP top BLUMOTION / CLIP top – hinges		99
Mounting plates		172
Accessories – hinge arm cover cap		179
Accessories – BLUMOTION for doors		182
Accessories – TIP-ON for doors		194
Accessories – general		180
Assembly, removal and adjustment		200
Overview – assembly devices		605
More technical details		684



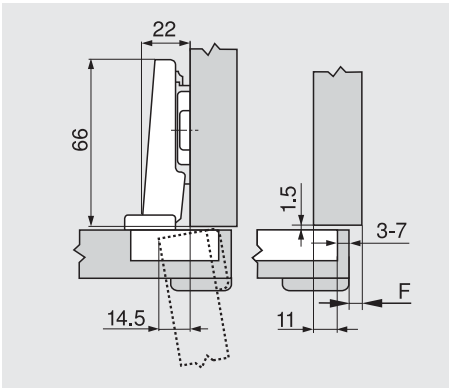
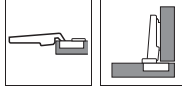
Profile/thick door hinge

Planning

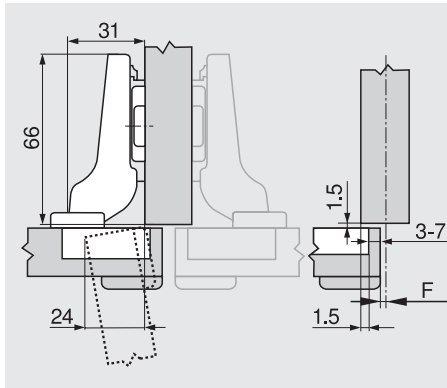
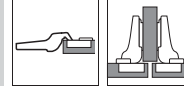
Hinge dimensions and gap calculation based on factory setting (mounting plate spacing = 0 mm)

Hinge and door protrusion at full opening angle

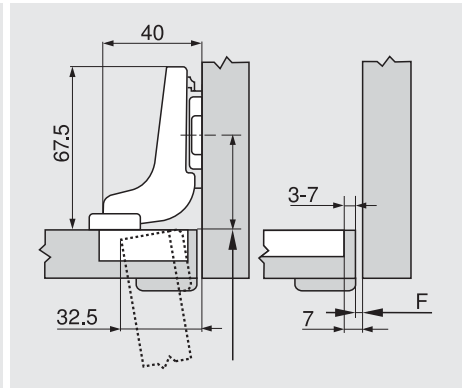
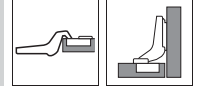
Overlay application



Dual application



Inset application



F Gap

Set mounting plate back by door thickness + 1.5 mm

Drilling distance

Front overlay	Drilling distance																	
	-	5	6	7	8	9	10	11	12	13	14	15	16	17	18			
0																		
3								3	4	5	6	7						
6					3	4	5	6	7									
9	3	4	5	6	7													

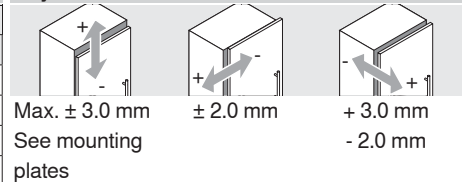
Front overlay	Drilling distance																	
	-	4.5	3.5	2.5	1.5	0.5	0.5	1.5	2.5	3.5	4.5	5.5	6.5	7.5	8.5			
0																		
3								3	4	5	6	7						
6						3	4	5	6	7								
9	3	4	5	6	7													

Front overlay	Drilling distance										
	-	4	3	2	1	0					
0											
3							3	4	5	6	7
6											
9											

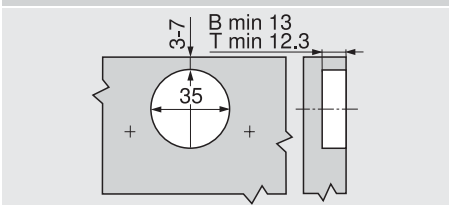
Minimum gap (F) for fronts with a front radius (R = 1 mm) based on the factory setting

Drilling distance TB	Front thickness FS											
	16	18	19	20	22	24	26	28	29	30	31	32
3	0.2	0.3	0.4	0.5	0.8	1.0	1.5	1.9	2.8	3.6	4.5	5.4
4	0.2	0.3	0.4	0.5	0.7	1.0	1.4	1.8	2.5	3.1	4.0	4.8
5	0.2	0.3	0.4	0.5	0.7	1.0	1.4	1.8	2.3	2.7	3.5	4.3
6	0.2	0.3	0.4	0.5	0.7	1.0	1.4	1.8	2.2	2.5	3.2	3.8
7	0.2	0.3	0.4	0.5	0.7	0.9	1.4	1.7	2.1	2.4	3.0	3.5
Additional for + 2 mm side adjustment												
	+ 0.1	+ 0.2	+ 0.2	+ 0.2	+ 0.3	+ 0.4	+ 0.4	+ 0.5	+ 0.4	+ 0.4	+ 0.4	+ 0.3

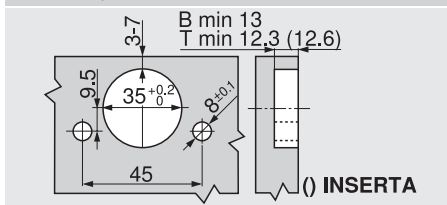
Adjustment



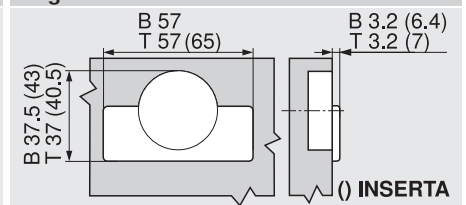
Screw-on



INSERTA/knock-in



Hinge boss dimensions



B CLIP top BLUMOTION
T CLIP top

() INSERTA