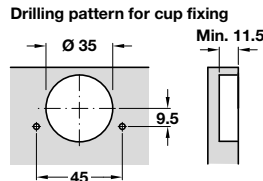


HÄFELE 110° REFRIGERATOR STANDARD HINGE



- > Opening angle 110°, Ø 35 mm cup
- > Screw fixing cup
- > Keyhole fixing arm
- > For door thicknesses up to 22 mm see table below
- > Full overlay mounting steel cup and zinc alloy hinge arm
- > Not soft close compatible
- > Order fixing screws separately
- > Order qty: 1 pc



Häfele refrigerator hinge

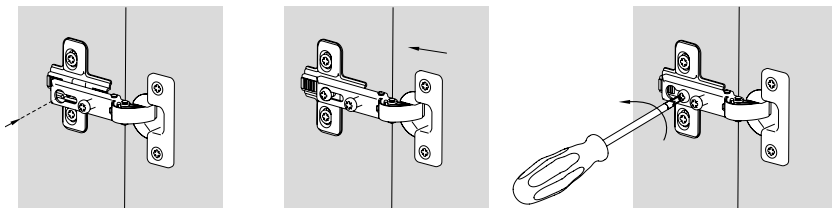
Minimum gap for doors with chamfered edges (r = 1 mm) with factory setting

Door thickness mm	Distance to cup E mm		
	3.0	4.0	5.0
16	0.3	0.3	0.3
17	0.5	0.5	0.5
18	0.7	0.7	0.7
19	1.0	0.9	0.9
20	1.3	1.2	1.2
21	1.7	1.6	1.5
22	2.5	2.1	2.0
Minimum gap F			

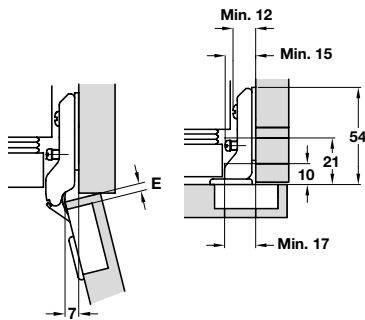
Key-hole system

- Refrigerator hinge
- Special hinges

The hinge is assembled on the mounting plate inserting the fixing screw on the appropriate hole on the hinge arm. After adjusting the door depth, the mounting procedure is finished by tightening the fixing screw.



110° Hinge for cabinet with refrigerator



Fixing	Keyhole fixing
Screw fixing	312.50.500

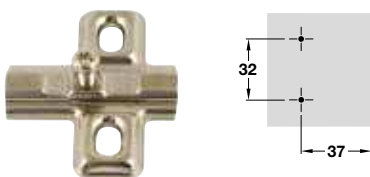
YOU ALSO NEED:

MOUNTING PLATES
Page 29

FIXING SCREWS
Section 13 page 88

OPTIONAL ACCESSORIES
Pages 109-121

Keyhole mounting plate for Häfele concealed refrigerator hinge



- > Hospa screw fixing
- > For use with mini hinges and refrigerator hinge
- > One part plate with ± 2 mm height adjustment via slots
- > Nickel-plated steel
- > Order fixing screws separately
- > Order qty: 1 pc

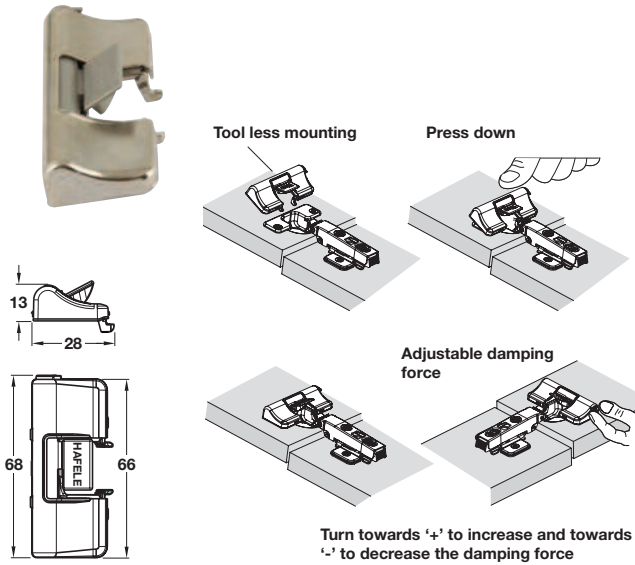


Height	Hospa screw
0 mm	312.46.510



A wider range of mounting plates are shown on pages 29

Add on soft close



- > For use with 110° click on hinges shown on pages **18-19**, and post hinges shown on page **25**
- > Order qty: 1 pc



Recommended position of soft close is shown on page **15**

	Cat. No.
Add on soft close	312.07.711



Cover caps for Häfele concealed hinges



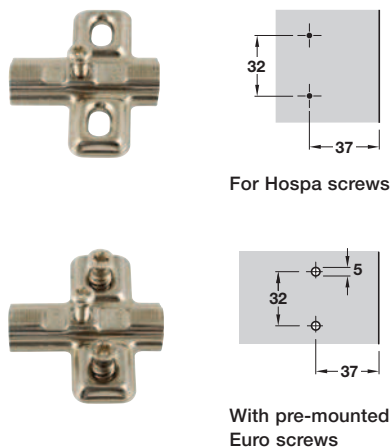
- > Only for use with 110°, pie-cut and post hinges, shown on pages **22-25**
- > Nickel-plated steel
- > Order qty: 1 pc

	Cat. No.
Cover cap	312.03.660



MOUNTING PLATES FOR HÄFELE REFRIGERATOR HINGES

Keyhole mounting plate for Häfele concealed refrigerator hinge



- > Hospa screw fixing or with pre-mounted Euro screws
- > For use with refrigerator hinge
- > One part plate with ± 2 mm height adjustment via slots
- > Nickel-plated steel
- > Order fixing screws separately for Hospa screw fixing versions
- > Order qty: 1 pc



For use with Häfele refrigerator hinge shown on page **26**

	FIXINGS REQUIRED HOSPA Ø 3.5	Fixings included	25 YEARS
Height	Hospa screws	Pre-mounted	
0 mm	312.46.510	312.46.520	
3 mm	312.46.513	312.46.523	