

# GRASS KINVARO D-S/D-M FLAP STAY WITH PULL CABLE

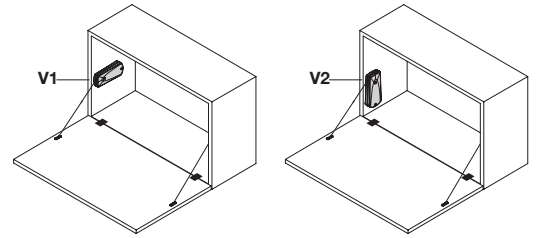
This Kinvaro flap stay from Grass has an unobtrusive design for any type of furniture application, with a choice of white or black finish, with integrated damper to open softly. D-M version also includes gentle closing and spring force adjustment.

9

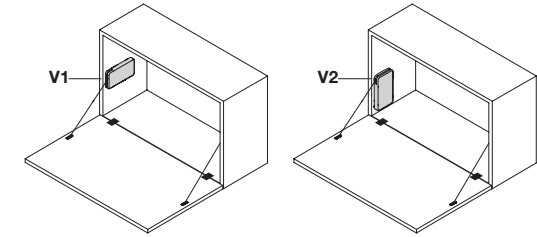
Furniture Hinges and Flap Fittings: Flap Fittings and Stays



Install horizontally or vertically



Kinvaro D-S



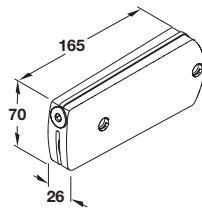
Kinvaro D-M

**Calculation of flap weight: Flap width x flap height x flap thickness x density<sup>1</sup> + weight of handle<sup>2</sup> = weight of flap**

<sup>1</sup> Densities: MDF board 0.85 kg/dm<sup>3</sup>, chipboard 0.65 kg/dm<sup>3</sup>, spruce/pine 0.45 kg/dm<sup>3</sup>

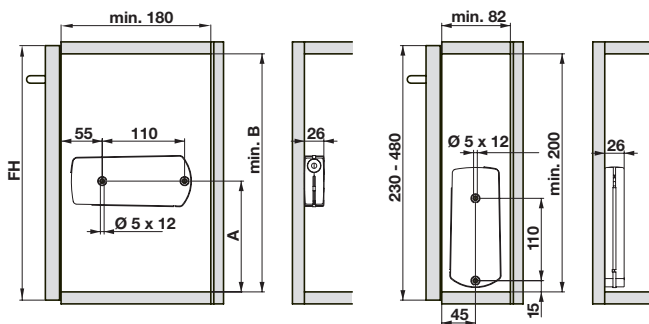
<sup>2</sup> Bar handles must be entered with 0.1 kg per 100 mm of handle length. We recommend a trial fitting.

## Grass Kinvaro D-S flap stay with pull cable



- > Damped opening
- > Opening angle adjustable via length of pull cable
- > Can be used with shallow cabinets from 82 mm depth
- > Flap height 200-480 mm
- > Unhanded
- > Easy to install horizontally or vertically
- > Cover cap, plastic included
- > Plastic
- > Order qty: 1 pc

Drill position and space required



| FH        | A   | B   |
|-----------|-----|-----|
| 200 - 270 | 135 | 173 |
| 270 - 480 | 148 | 186 |

Minimum gap and door protrusion depend on the fitted hinge.

| Front<br>Height<br>(FH) | V1 & V2 - installed horizontally or vertically |         |            |         |
|-------------------------|--|---------|------------|---------|
|                         | Flap weight including handle (kg)              |         |            |         |
|                         | Spring 40N                                     |         | Spring 60N |         |
|                         | 1x   | 2x      | 1x         | 2x      |
| 200-270                 | 1.7-3.0  | 3.9-4.5 | 3.1-4.0    | 7.5-8.0 |
| 270-330                 | 1.7-3.0  | 3.3-4.5 | 3.1-4.0    | 6.1-7.4 |
| 330-380                 | 1.7-1.9  | 3.2-3.5 | 2.9-3.5    | 5.1-6.8 |
| 380-430                 | 1.5-1.8  | 2.7-3.3 | 2.5-3.3    | 4.8-6.6 |
| 430-460                 | 1.2-1.7  | 2.5-3.1 | 2.3-3.3    | 4.6-6.0 |
| 460-480                 | -  | -       | 2.2-2.8    | 4.4-5.3 |



| Spring | White      | Black      |
|--------|------------|------------|
| 40N    | 372.90.207 | 372.90.203 |
| 60N    | 372.90.217 | 372.90.213 |

YOU ALSO NEED:

**TIOMOS FLAP HINGES**  
Page 240

PAGE AMENDED  
19.02.20/2