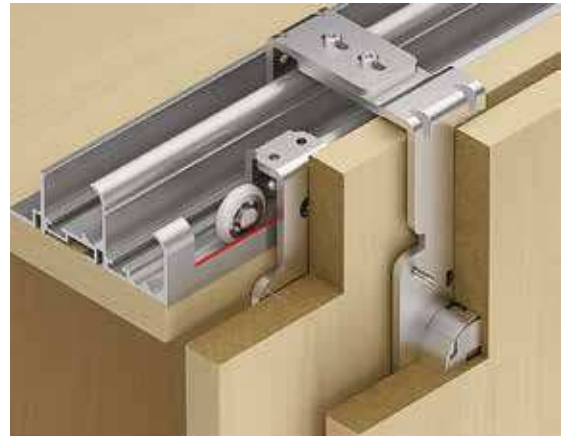


SLIDO CLASSIC 60 VF T SLIDING DOOR SYSTEM

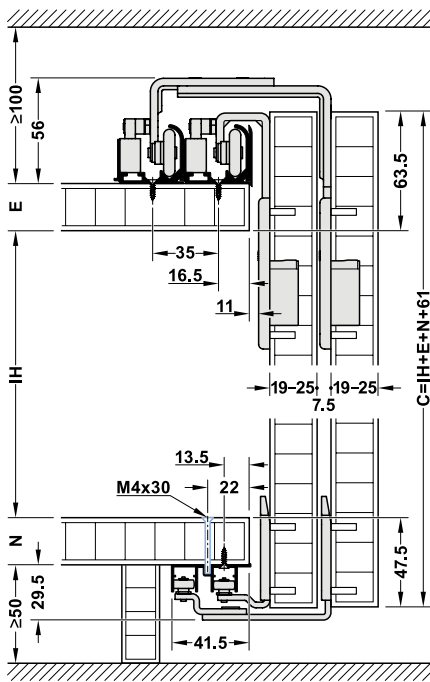
Top hung system for overlay timber door applications up to 60 kg, optional electric drive available. Easy to assemble and disassemble. High performance soft close fitting included.

- > Slido Classic 60 VF T
- > Range: Max. door weight **60 kg**
For door thickness **16-25 mm**, adjustable
- > Can be connected to an electric sliding door drive; e-drive
- > Door width:
 - for 1 door - min. 620 mm both sides with soft close
 - for 2 doors - min. 620 mm both sides with soft close
 - for 3 doors - min. 400 mm one side with soft close
- > Door stopper: Clip-in door stopper or top soft and self closing mechanism for insertion in guide track
- > Material: Housing, zinc alloy. Running gear, mounting plate and guide, steel
- > Running gear: top running, 2-roller
- > Running gear guided by: Ball bearing roller, plastic, steel axle
- > Adjustment facility: Height ± 2 mm on running gear using adjusting wheel
- > Installation: Guide and running gear for screw fixing to door leaf, tracks for screw fixing to cabinet outer side, optionally also to cabinet inner side

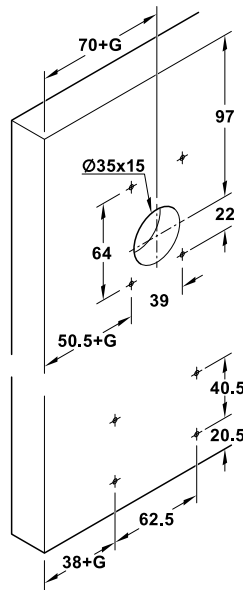


Sliding Door Fittings for Furniture: Sliding Cabinet Door

Installation dimensions



Drilling pattern



X	1	1 2	1 2 3
0	-	-	-
1	-	-	≥ 350 mm
2	≥ 520 mm	≥ 520 mm	≥ 820 mm

G door overlap on cabinet side panel

IH inner cabinet height

E door height

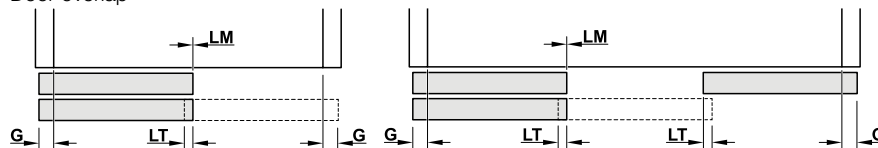
N cabinet top panel thickness

N cabinet base panel thickness

$C = IH + \text{cabinet top panel thickness} + \text{cabinet base panel thickness} + 22.5 + 38.5$ mm

10

Door overlap



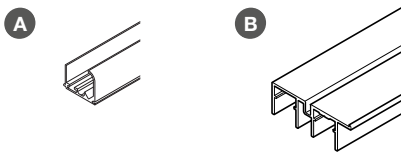
LM = door offset (0 mm)

LT = door overlap (20 mm recommended)



- > Tracks and fitting sets must be ordered separately, shown on page **73B**
- > Planofit door straightening system must be used to add rigidity to wooden doors, shown on pages **194-195**
- > Electric e-drive set available to order separately, shown on page **73B**

Slido Classic 60 VF T tracks and channels



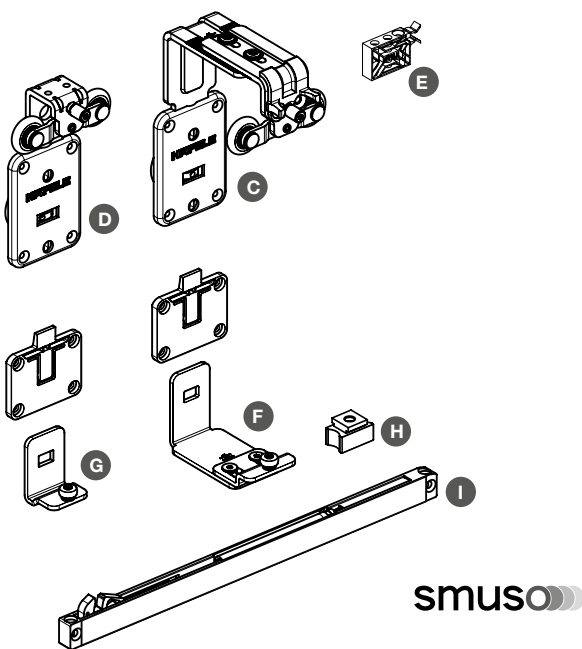
- > Order single or double tracks depending on application
- A Single top running track, pre-drilled, for screw fixing or groove mounting to cabinet top panel. Silver coloured anodised aluminium
- B Double bottom guide track, with stop strip, for screw fixing to cabinet bottom panel. Silver coloured anodised aluminium
- > Order qty: 1 pc



Two top tracks must be mounted in parallel in order to make a double running track

Length	2.5 m	3.5 m
A Single top running track	402.31.654	402.31.655
B Double bottom guide track	402.31.842	402.31.843

Slido Classic 60 VF T fitting sets, for 1, 2 or 3 doors



- > Fitting sets include:
- C Running gear for outer door, galvanized steel, with friction bearing, with housing for screw fixing into Ø 35 mm hole, black plastic
- D Running gear for inner door, galvanized steel, with friction bearing, with housing for screw fixing into Ø 35 mm hole, black plastic
- E Top clip-in door stopper, with retainer, black plastic
- F Bottom guide for outer door, screw fixing, galvanized steel and black plastic
- G Bottom guide for inner door, screw fixing, galvanized steel and black plastic
- H Bottom door stopper, for bottom guide track, black plastic
- I Soft and self closing mechanism (with follower for 2 and 3 doors), or sliding into top track, grey/black plastic
- > Order qty: 1 set



Fitting set	For 1 door	For 2 doors	For 3 doors
Soft close mechanism	on both sides	on both sides	on one side
C Running gear, outer	-	2 pcs	2 pcs
D Running gear, inner	2 pcs	2 pcs	4 pcs
E Clip-in stopper	-	-	3 pcs
F Bottom guide, outer	-	2 pcs	2 pcs
G Bottom guide, inner	2 pcs	2 pcs	4 pcs
H Bottom door stopper	2 pcs	4 pcs	6 pcs
I Soft close	2 pcs	4 pcs	3 pcs
Cat. No.	402.31.034	402.31.036	402.31.038



The middle door of a 3-door set can only be opened in one direction

Electric sliding door drive set



- > Electric universal drive for sliding doors, can be retrofitted
- > Extremely quiet opening and closing by tapping the door
- > Bare ended mains cable
- > Order qty: 1 set



Suitable for cabinet width	1600-2400 mm	2400-4000 mm
For 2 doors - Supplied with 1 e-drive, 2 connecting arms		
Cat. No.	405.15.074	405.15.075
For 3 doors - Supplied with 1 e-drive, 3 connecting arms		
Cat. No.	405.15.076	405.15.077