

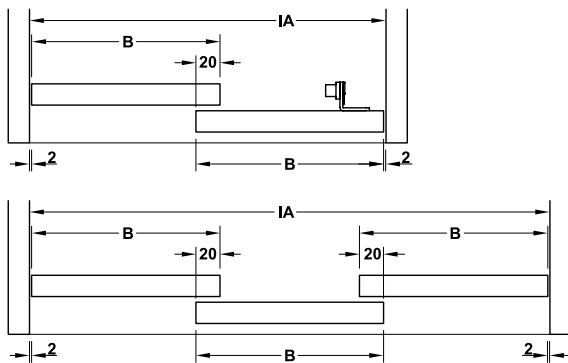
EKU-COMBINO 35 MF SLIDING DOOR SYSTEM

For 2 or 3 top running straight sliding wardrobe or cabinet doors up to 35 kg, with screwed-on running track and wooden or aluminium clip panel. Soft close optional. Doors inset at top, overlay at bottom.

Sliding Door Fittings for Furniture: Large Cabinet and Wardrobe Doors

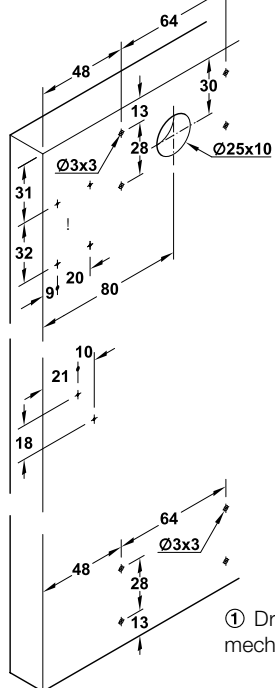
- > EKU-COMBINO 35 MF
- > Range:
 - Max door weight **35 kg**
 - Max door height **2200 mm**
 - Max door width **1200 mm**
 - For door panel thickness **19 mm**
- > Top running with 2 rollers
- > Height adjustment: ±3 mm on running gear using eccentric screw
- > Installation: Screw fixing running gear and guide, hooking in and removing of door without tools
- > EKU soft close system can be ordered separately, shown on pages 40-41

Door overlap

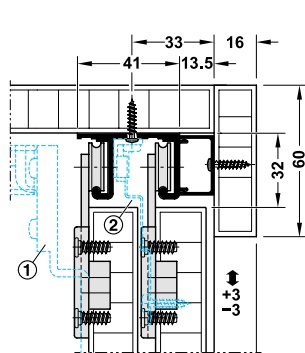


For 2 doors: Door width = $(IA + 16)/2$
 For 3 doors: Door width = $(IA + 36)/3$
 IA internal cabinet width, B door width

Drilling pattern



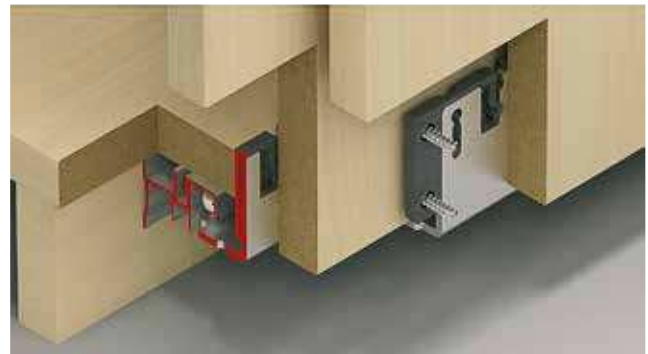
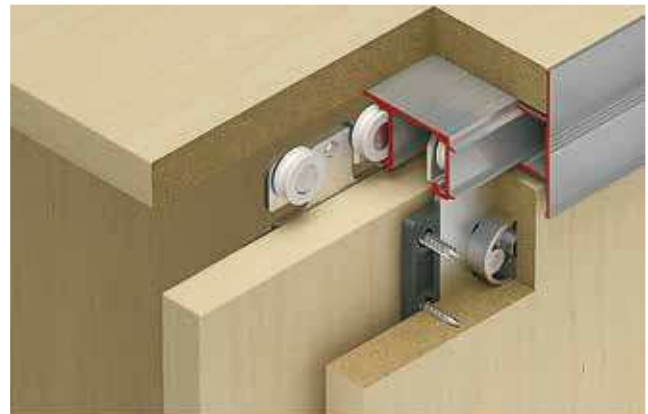
Recess in wooden panel



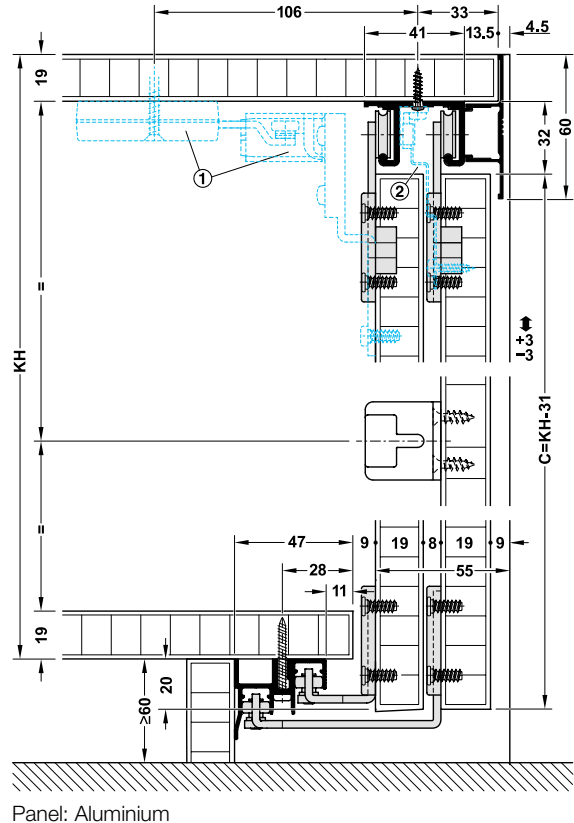
Panel: Wood

- ① Soft and self closing mechanism
- ② Intermediate stopper for 3 doors
- C = door height
- KH = cabinet height

① Drill holes for soft and self closing mechanism



Installation dimensions

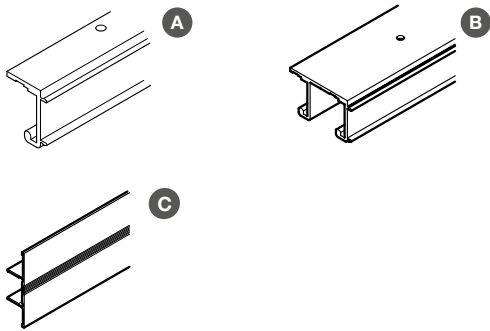


Panel: Aluminium



- > Tracks and fitting sets must be ordered separately, shown on page **5D**
- > Door straightening system must be used to add rigidity to wooden doors, shown on pages **194-195**

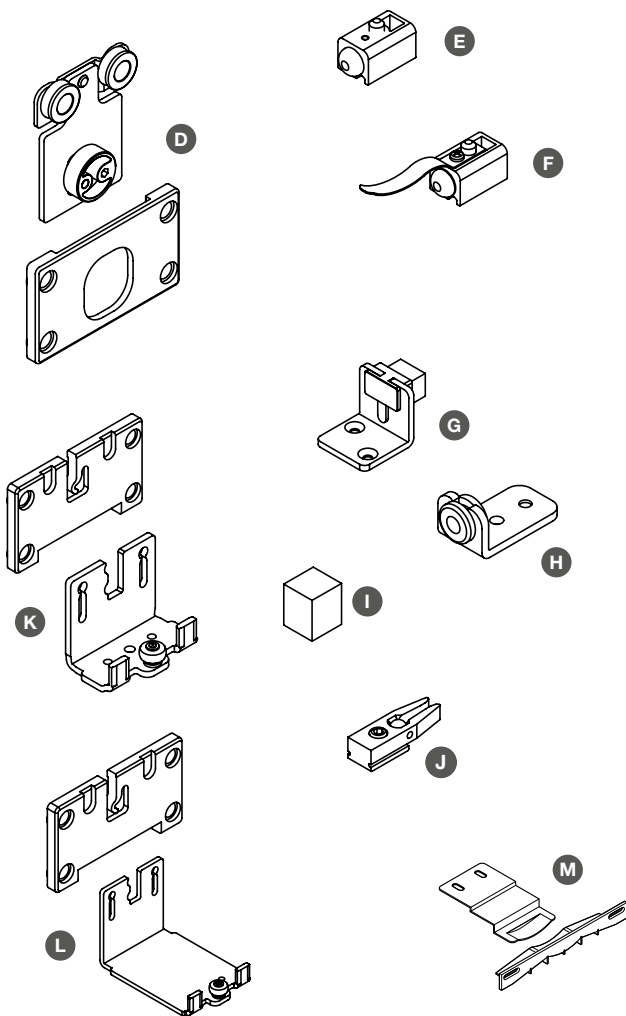
EKU-COMBINO 35 top tracks, clip panel and cover profile



- > Order top track and clip panel separately
- A Single top track, pre-drilled for screw mounting, bright aluminium
- B Double top track, pre-drilled for screw mounting, bright aluminium
- C Clip panel, anodised aluminium
- > Order qty: 1 pc

Item	2.5 m	3.5 m
A Single top track	406.30.967	406.30.976
B Double top track	406.31.964	406.31.973
C Clip panel	406.34.942	406.34.943

EKU-COMBINO 35 IF fitting sets for 2 or 3 doors



- > Fitting sets for 2 or 3 doors include:
- D Running gear, zinc plated steel, ±3 mm height adjustment, with screw fixing housing, anthracite plastic
- E Door stopper for top track, grey plastic
- F Door stopper for top track, with retention spring, grey plastic
- G Door follower, for 2 doors, zinc plated steel
- H Door follower, for 3 doors, zinc plated steel
- I Buffer, with adhesive, 3-piece set
- J Bottom door stopper, for guide track, grey plastic
- K Bottom guide, for inner door, zinc plated steel with screw fixing housing, anthracite plastic
- L Bottom guide, for outer door, zinc plated steel with screw fixing housing, anthracite plastic
- > Order qty: 1 set
- Order centre door stopper separately for 3 door systems:
- M Centre door stopper, for cabinets with front running, centre door, for engaging in centre position, nickel plated steel spring, grey plastic retainer
- > Order qty: 1 pc

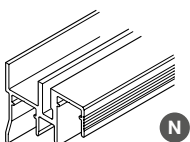


Item	For 2 doors	For 3 doors
D Running gear	4 pcs	6 pcs
E Door stopper	2 pcs	1 pc
F Door stopper, retention spring	2 pcs	3 pcs
G Door follower, for 2 doors	1 pc	-
H Door follower, for 3 doors	-	2 pcs
I Buffer	-	1 set
J Bottom door stopper	4 pcs	4 pcs
K Bottom guide, for inner door	2 pcs	4 pcs
L Bottom guide, for outer door	2 pcs	2 pcs
For door thickness 19 mm only	405.91.429	405.91.438
Additional items	Cat. No.	
M Centre door stopper	406.32.080	



EKU soft close system can be ordered separately, shown on pages 40-41

EKU-COMBINO 35 MF double bottom guide track



- > Bottom guide track, pre-drilled, screw fixing, anodised aluminium
- > Order qty: 1 pc

Item	2.5 m	3.5 m
N Double bottom guide track	405.52.026	405.52.036