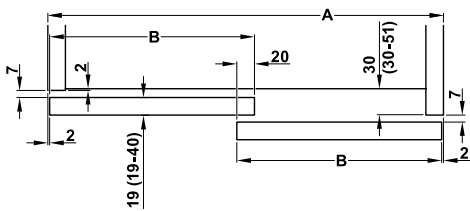


# EKU-COMBINO 80 H VF OL SLIDING DOOR SYSTEM

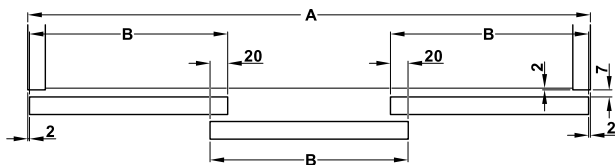
For 2 or 3 top running straight sliding wardrobe or cabinet doors up to 80 kg, with screwed-on running track. Optional soft close integrated in track. Overlay doors.

- > EKU-COMBINO 80 HVF ol
- > Range:
  - Max door weight **80 kg**
  - Max door height **2800 mm**
  - Max door width **1600 mm**
  - For door panel thickness **19-40 mm**
- > Bottom running with 2 rollers
- > Height adjustment: +4/-2 mm on running gear using eccentric screw
- > Installation: Screw fixing running gear and guide, hooking in and removing of door without tools
- > EKU soft close system can be ordered separately, shown on pages 40-41

### Door overlap



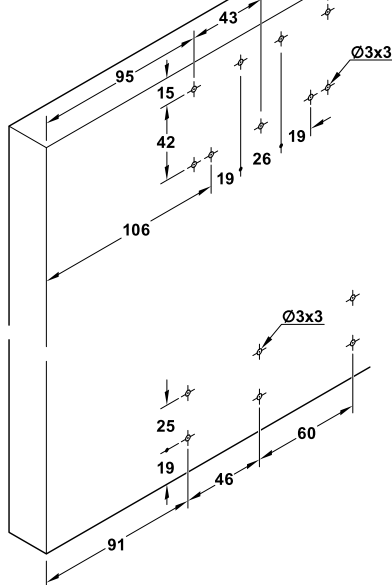
Door width  $B = (A + 16)/2$



Door width  $B = (A + 36)/3$

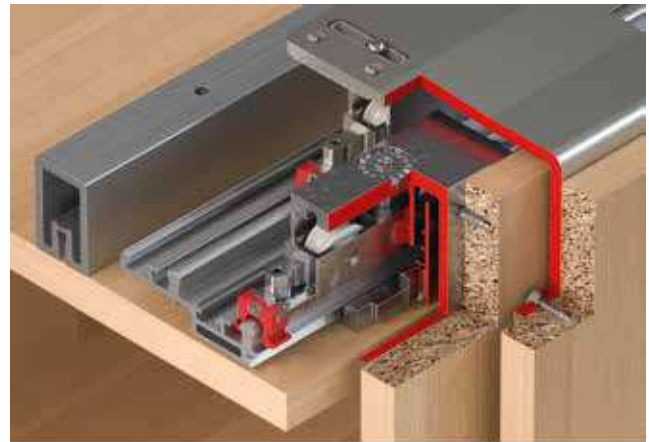
A cabinet width  
B door width

### Drilling pattern

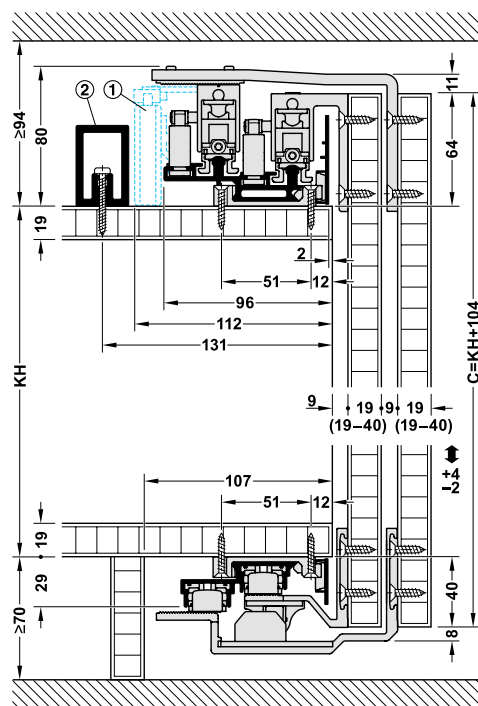


**Note:** Before installing top guide track: Insert top door stoppers

- ① Soft closing mechanism for centre door
- ② Strengthening profile
- C = door height
- KH = cabinet height

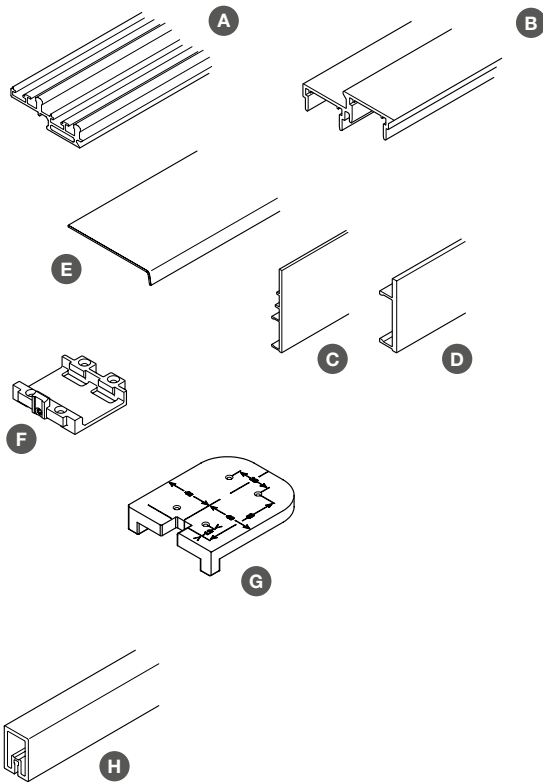


### Installation dimensions



- > Tracks and fitting sets must be ordered separately, shown on page 11D
- > Door straightening system must be used to add rigidity to wooden doors, shown on pages 194-195

## EKU-COMBINO 65/80 H VF track sets and strengthening profile

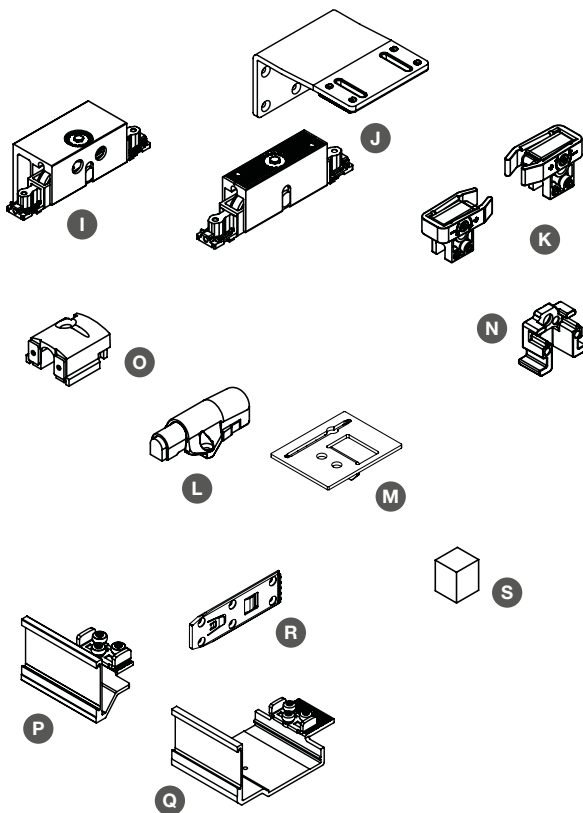


- > Track set consists of:
  - A Double running track, pre-drilled for screw mounting, anodised aluminium
  - B Double guide track, pre-drilled for screw mounting, bright aluminium
  - C Panel profile for running track, anodised aluminium
  - D Panel profile for guide track, anodised aluminium
  - E Cover for panel profile
  - F Fixing adaptor, zinc plated
  - G Drilling jig
- > Order qty: 1 set
- Order strengthening profile separately:
  - F Strengthening profile
- > Order qty: 1 pc



Item	2.5 m	4.0 m
A Double running track	1 pc	1 pc
B Double guide track	1 pc	1 pc
C Panel profile for running track	1 pc	1 pc
D Panel profile for guide track	1 pc	1 pc
E Cover for panel profile	1 pc	1 pc
F Fixing adaptor	15 pcs	20 pcs
G Drilling jig	1 pc	1 pc
Track set	405.70.743	405.70.744
Additional items	2.5 m	
H Strengthening profile	405.70.703	

## EKU-COMBINO 80 H VF fitting sets for 2 or 3 doors



- > Fitting sets for 2 or 3 doors include:
  - I Running gear, for inner door, anodised aluminium
  - J Running gear, for outer door, anodised aluminium, with bracket, matt nickel plated steel
  - K Door stopper for top track, left and right hand, grey plastic
  - L Door follower with soft close, grey plastic
  - M Activator, for door follower, zinc plated steel
  - N Bottom door stopper, grey plastic
  - O Anti-derailment device, red plastic
  - P Guide bracket, for inner door, anodised aluminium
  - Q Guide bracket, for outer door, anodised aluminium
  - R Guide plate, grey plastic
  - S Buffer, with adhesive, 2-piece set
- > Order qty: 1 set



Item	For 2 doors	For 3 doors
I Running gear, inner door	2 pcs	4 pcs
J Running gear bracket, outer door	2 pcs	2 pcs
K Door stoppers	2 pairs	2 pairs
L Door follower	1 pc	2 pcs
M Activator	1 pc	2 pcs
N Bottom door stopper	4 pcs	4 pcs
O Anti-derailment device	4 pcs	6 pcs
P Guide bracket, inner door	2 pcs	4 pcs
Q Guide bracket, outer door	2 pcs	2 pcs
R Guide plate	4 pcs	6 pcs
S Buffer	-	1 set
For door thickness 19-40 mm	405.71.009	405.71.013



EKU soft close system can be ordered separately, shown on pages 40-41