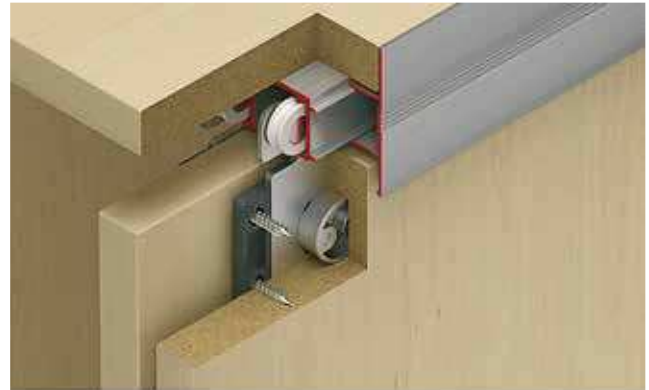


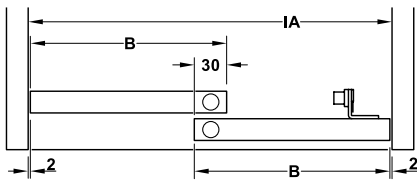
EKU-COMBINO 35 IF SLIDING DOOR SYSTEM

For 2 or 3 top running straight sliding wardrobe or cabinet doors up to 35 kg, with screwed-on running track and wooden or aluminium clip panel. Soft close optional. Inset doors.

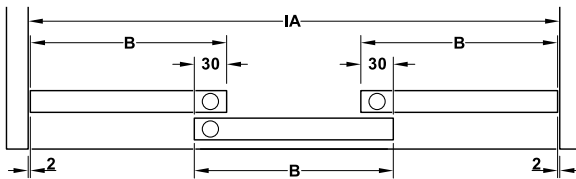
- > EKU-COMBINO 35 IF
- > Range:
 - Max door weight **35 kg**
 - Max door height **2200 mm**
 - Max door width **1200 mm**
 - For door panel thickness **19 mm**
- > Top running with 2 rollers
- > Height adjustment: ±3 mm on running gear using eccentric screw
- > Installation: Screw fixing running gear, guide for press fitting into drill hole
- > EKU soft close system can be ordered separately, shown on pages 40-41



Door overlap

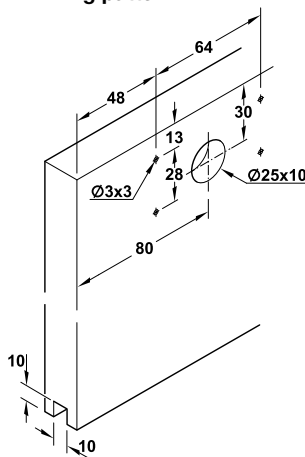


Door width $B = (IA + 26)/2$

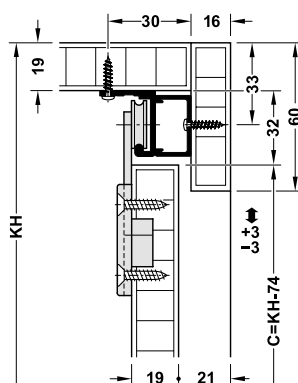


Door width $B = (IA + 56)/3$ B door width
IA internal cabinet width

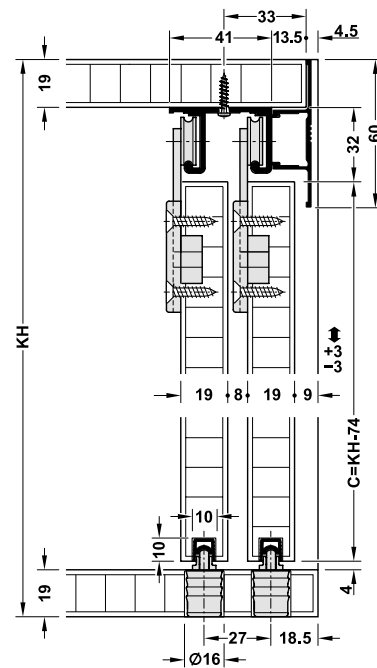
Drilling pattern



Installation dimensions



Panel: Wood
C = door height
KH = cabinet height

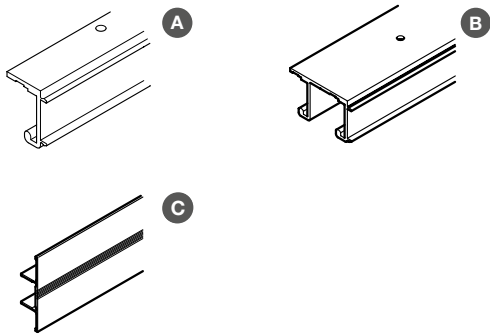


Panel: Aluminium



- > Tracks and fitting sets must be ordered separately, shown on page **5B**
- > Door straightening system must be used to add rigidity to wooden doors, shown on pages **194-195**

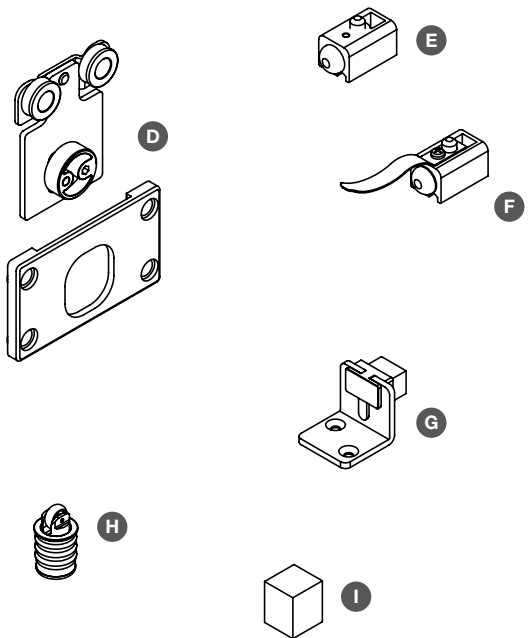
EKU-COMBINO 35 top tracks, clip panel and cover profile



- > Order top track and clip panel separately
- A Single top track, pre-drilled for screw mounting, bright aluminium
- B Double top track, pre-drilled for screw mounting, bright aluminium
- C Clip panel, anodised aluminium
- > Order qty: 1 pc

Item	2.5 m	3.5 m
A Single top track	406.30.967	406.30.976
B Double top track	406.31.964	406.31.973
C Clip panel	406.34.942	406.34.943

EKU-COMBINO 35 IF fitting sets for 2 or 3 doors



- > Fitting sets for 2 or 3 doors include:
- D Running gear, zinc plated steel, ± 3 mm height adjustment, with screw fixing housing, anthracite plastic
- E Door stopper for top track, grey plastic
- F Door stopper for top track, with retention spring, grey plastic
- G Door follower, for 2 doors, zinc plated steel
- H Buffer, with adhesive, 3-piece set
- I Bottom guide, grey plastic
- > Order qty: 1 set

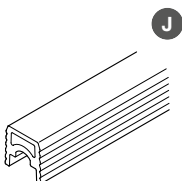


Item	For 2 doors	For 3 doors
D Running gear	4 pcs	6 pcs
E Door stopper	2 pcs	1 pc
F Door stopper, retention spring	2 pcs	3 pcs
G Door follower	1 pc	-
H Buffer	-	1 set
I Bottom guide	2 pcs	3 pcs
For door thickness 19 mm only	405.91.723	405.91.724



EKU soft close system can be ordered separately, shown on pages **40-41**

EKU-COMBINO 35 IF single bottom guide track



- > Bottom guide track, glue fixing, grey plastic
- > Order qty: 1 pc

Item	2.5 m	3.5 m
J Single bottom guide track	406.73.803	406.73.804