

# SLIDO FLAT 20 IF FLUSH SLIDING DOOR SYSTEM

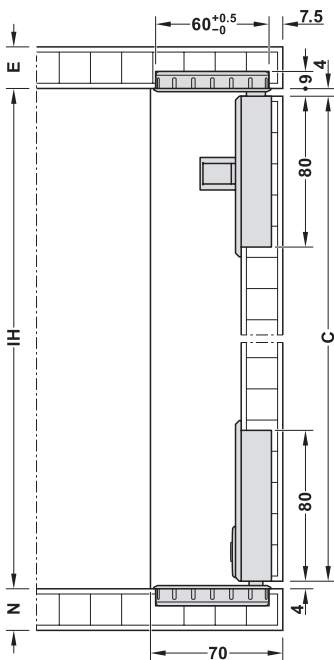
Bottom rolling sliding system for 2 timber doors up to 20 kg. Two doors close to form a smooth, flush in-line appearance with no overlap between doors. Simple installation as the same track is used for both top and bottom.

- > Slido Flat 20 IF
- > Range:
  - Max. door height **1600 mm**
  - Max. door width **450-900 mm**
  - Max. door weight **20 kg**
  - For door thickness **18-22 mm** (including handle 45 mm)
- > Fit recessed profile handle or flush pull handle if a smooth in-line appearance required
- > Door offset: 50 or 70 mm
- > Installation depth: 70 mm
- > Running gear: Bottom rolling
- > Installation: Tracks and channels recess mounted, running gear recess mounted and screw fixed
- > Material: Steel and anodised aluminium?
- > Adjustment facility:  $\pm 2$  mm without tools, using knurled screw



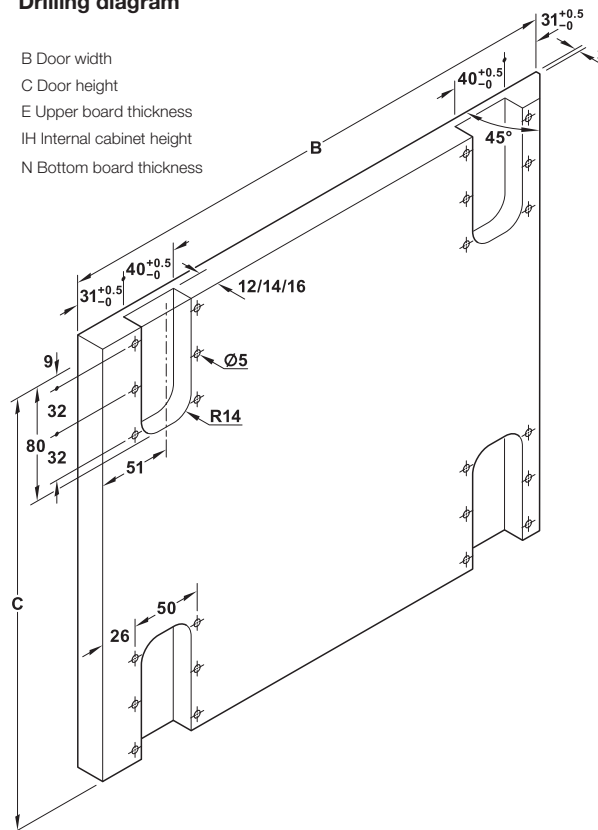
Sliding Door Fittings for Furniture: Sliding Cabinet Door

### Installation dimensions

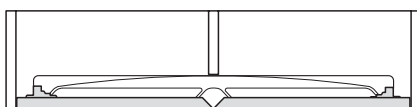


### Drilling diagram

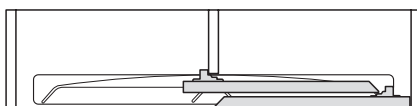
- B Door width
- C Door height
- E Upper board thickness
- IH Internal cabinet height
- N Bottom board thickness



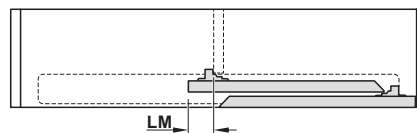
### Position of doors



Closed

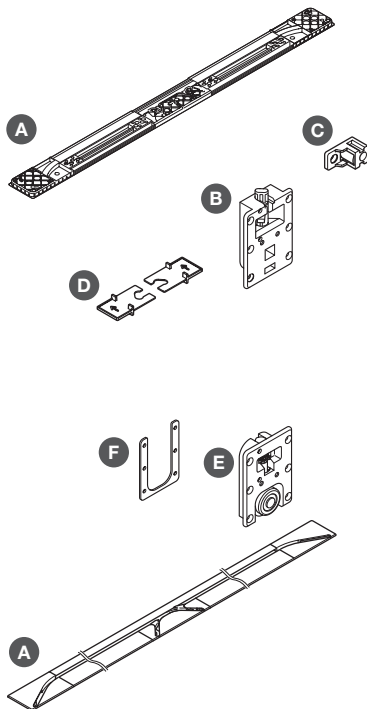


Open



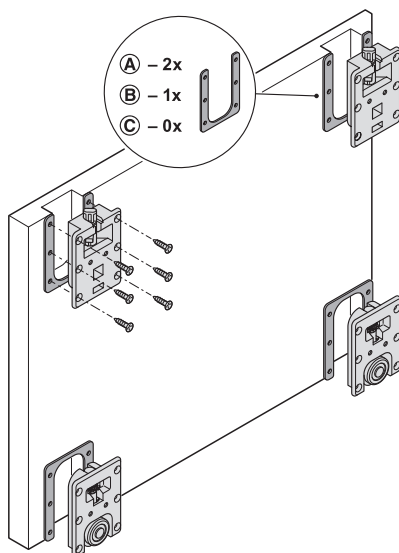
Door offset LM is 50 or 70 mm depending on installation

## Häfele Slido Flat 20 IF



- > Fitting sets include:
  - A Top guide track, anodized aluminium
  - B Top guide, for mounting in drilled hole and screw fixing
  - C Door buffer, grey plastic
  - D Installation jigs, for doors
  - E Bottom running gear, for mounting in drilled hole and screw fixing
  - F Spacer plate, grey plastic
- Hex key
- > Order qty: 1 set

### Installation of top guide and bottom running gear. Use of spacer plates depends on door thickness.



- A** 2 spacer plates for 18 mm door thickness
- B** 1 spacer plate for 20 mm door thickness
- C** No spacer plate for 22 mm door thickness



Fitting set		for 2 doors	
A Top guide track		2 pcs	
B Top guide		4 pcs	
C Door buffer		2 pcs	
D Installation jigs		1 pair	
E Bottom running gear		4 pcs	
F Spacer plates for 18 and 20 mm door thickness		16 pcs	
For internal cabinet width	For door width	Black	Silver coloured
908 mm	450 mm	407.40.097	407.40.093
1208 mm	600 mm	407.40.096	407.40.092
1508 mm	750 mm	407.40.095	407.40.091
1808 mm	900 mm	407.40.094	407.40.090

TCH AH 2019, © Häfele U.K. Ltd 2019. Dimensional data not binding. We reserve the right to alter specifications without notice.