

ROPOX ADJUSTABLE WASHBASIN FOR ACCESSIBLE LIVING

Height adjustable washbasin, manual adjustment by 200 mm.

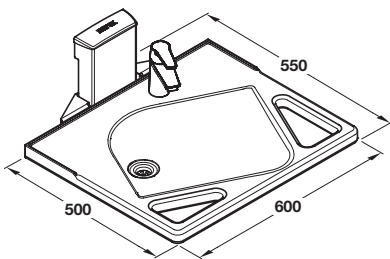


- > Manually height adjustable washbasin
- > For occasional adjustment
- > To adjust, remove cover cap, insert flexible winding handle and wind to required height
- > 200 mm height adjustment
- > Cost effective adjustment by carers in Care Homes, Sheltered Housing or at home
- > Flexible winding handle to be ordered separately but one may service complete project

3

Bathroom Fittings and Accessories: Accessible Bathrooms

Height adjustable washbasin

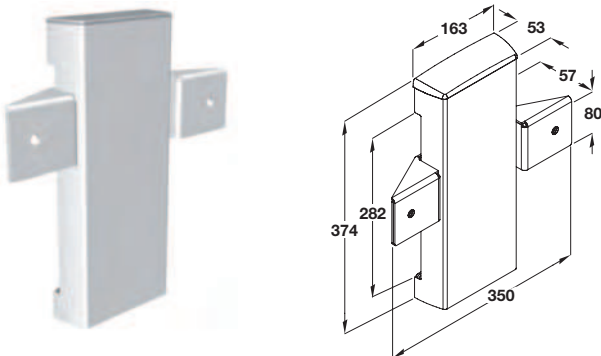


- > Height adjustable unit
- > Consists of: Height adjustable unit (588.49.370 shown below), basin, polished chrome monobloc mixer tap and plumbing kit
- > Manual height adjustment between 200 mm, through the use of flexible winding handle 588.49.374 - order separately, shown below
- > Load carrying capacity 100 kg
- > Aluminium, steel and plastic
- > Order qty: 1 pc



Finish	Cat. No.
White	588.49.041

Height adjustable unit

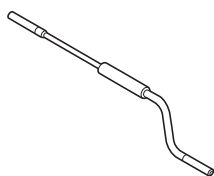


- > For use with bolt mountable basins with 280-300 mm bolt hole centres
- > Manual height adjustment between 200 mm, through the use of flexible winding handle 588.49.374 - order separately
- > Load carrying capacity 100 kg
- > Aluminium framework
- > Order qty: 1 set



Finish	Cat. No.
White	588.49.370

Flexible winding handle



- > For use with height adjustment unit
- > Painted steel
- > Order qty: 1 pc

Finish	Cat. No.
White	588.49.374 

Extending lever



- > For ease of use with the monobloc tap
- > Stainless steel
- > Order qty: 1 pc

Finish	Cat. No.
Polished chrome	588.49.376 

TOH DESIGN 2020, © Häfele U.K. Ltd 2020. Dimensional data not binding. We reserve the right to alter specifications without notice.