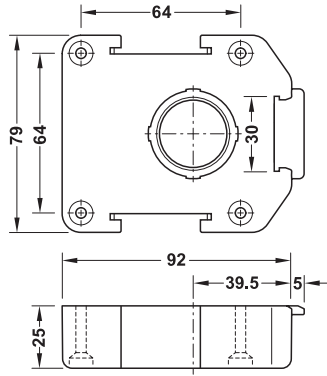


Häfele AXILO™ 78 plinth foot, top section



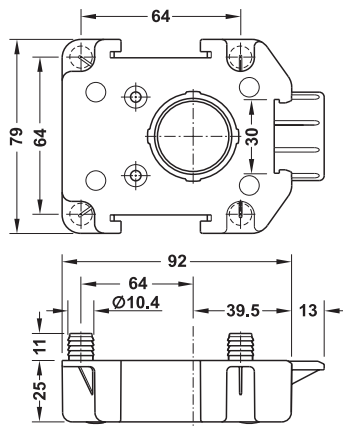
For screw fixing



- > For screw fixing or press fitting
- > Black plastic
- > Order qty: Multiples of 20 pcs



For press fitting

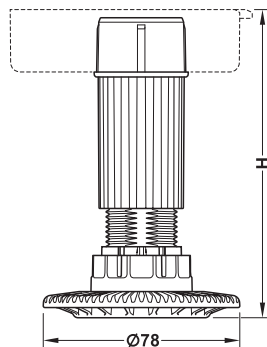


Installation	Cat. No.
Screw fixing	637.76.333
Press fitting	637.76.334

Häfele AXILO™ 78 foot and shaft section



- > For plug fitting into top section
- > Height adjustable at the side and from above -10 to +20 mm using AXILO™ adjusting tool
- > Height adjustment facility: Max. 80 kg cabinet weight
- > Load bearing capacity: 150 kg per foot
- > Black plastic
- > Order qty: Multiples of 20 pcs



Installation height	Adjustment facility	Cat. No.
60 mm	53-80 mm	637.76.351
80 mm	70-100 mm	637.76.352
100 mm	90-120 mm	637.76.353
125 mm	115-145 mm	637.76.354
150 mm	140-170 mm	637.76.355
180 mm	170-200 mm	637.76.356

TCH TECHNOLOGY 2018, © Häfele U.K. Ltd 2018. Dimensional data not binding. We reserve the right to alter specifications without notice.