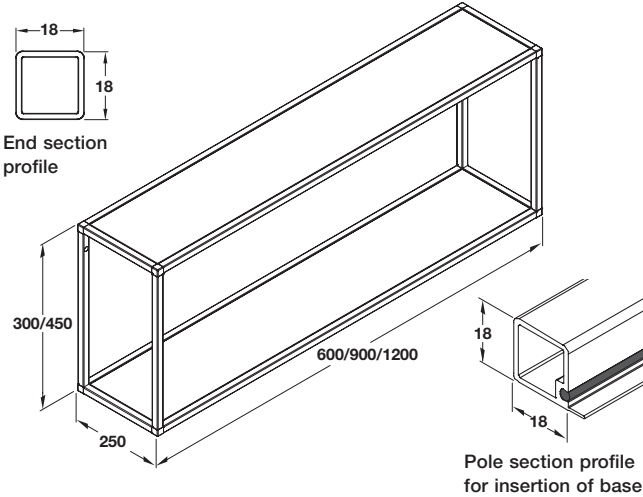


Smartcube sets



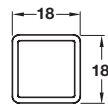
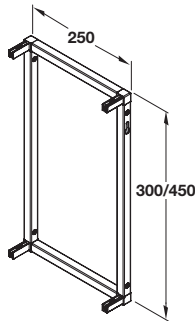
Shelf base and top (not included) rest on pole section profile lip, held in place by weight of shelf and shelf contents

- > For use with 15-18 mm board (flush fitting with 15-16 mm board)
- > Pre-fitted gasket ensures snug fit of board (board not included)
- > Set consists of:
 - 2 end sections
 - 4 pole sections with pre-fitted translucent gasket
 - Fixing set comprising wall plugs, screws and cover caps
- > Aluminium
- > Order qty: 1 set



Height x width	Black	Stainless steel
300 x 600 mm	793.06.331	793.06.031
300 x 900 mm	793.06.332	793.06.032
300 x 1200 mm	793.06.333	793.06.033
450 x 600 mm	793.06.341	793.06.041
450 x 900 mm	793.06.342	793.06.042
450 x 1200 mm	793.06.343	793.06.043

Smartcube end section



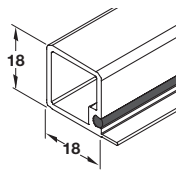
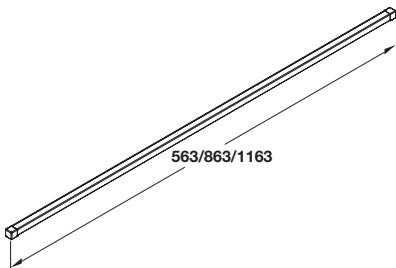
- > For use with pole sections
- > Set consists of:
 - 2 end sections with pre-fitted brackets
 - Fixing set comprising wall plugs, screws and cover caps
- > Aluminium
- > Order qty: 1 set



Order pole sections separately, shown below

Height x depth	Black	Stainless steel
300 x 250 mm	793.05.390	793.05.090
450 x 250 mm	793.05.391	793.05.091

Smartcube pole section



- > For use with 15-18 mm board (flush fitting with 15-16 mm board)
- > Pre-fitted gasket ensures snug fit of board (board not included)
- > Set consists of:
 - 4 pole sections with pre-fitted translucent gasket
- > Aluminium
- > Order qty: 1 set



Order end sections separately shown above

Length	Black	Stainless steel
563 mm	793.05.301	793.05.001
863 mm	793.05.302	793.05.002
1163 mm	793.05.303	793.05.003



- > Fixings included are suitable for solid brick walls, for mounting to other substrates please use suitable alternative fixings
- > Shelving base material is not included