

# LOOX5 24V LED 3039 DOWNLIGHT, MULTI-WHITE

The LED 3039 continuously changes the colour temperature from 2700K to 5000K, therefore creating different lighting atmospheres. The light is dimmable using Connect Mesh system with the multi-white adapter; order separately



## Loox5 24V LED 3039 downlight, Ø 65 mm, multi-white



- > For recess mounting, press-fit in Ø 55 mm hole
- > 0.8 mm rim, min. 14 mm hole depth required
- > For surface mounting, order bezel separately, for screw fixing
- > Voltage: 24V. Wattage: 3.0W
- > Colour temperature can be adjusted and dimmed with the Connect Mesh system and multi white adapter - order separately
- > Degree of protection: IP20
- > With 2.0 m multi-white lead with 24V Loox5 connector
- > Steel housing
- > Order qty: 1 pc

Distance	120°	2700 K	5000 K
250 mm		335 Lx	350 Lx
500 mm		125 Lx	130 Lx
750 mm		70 Lx	70 Lx
1000 mm		45 Lx	45 Lx

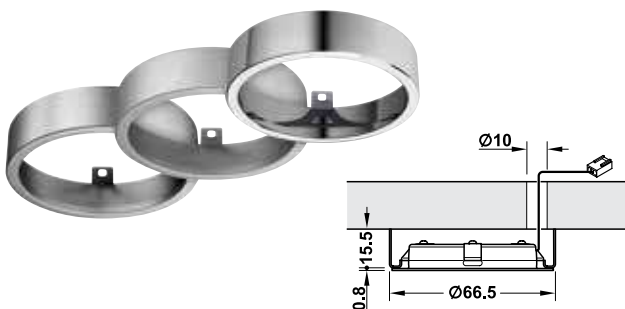
Output:	2700K - 5000K
Light colour:	Multi-white
Energy efficiency:	A+
Number of diodes:	60
Light output (Lm):	258
Wattage (W):	3
Efficacy (Lm/W):	86
Colour Rendering Index:	2700K = 90; 5000K = 83

Order bezel separately for surface mounting, shown below

Control using Häfele Connect Mesh system, shown from page 5.178

Finish	2700K - 5000K
Polished chrome plated	833.75.161
Silver coloured	833.75.162
Stainless steel coloured	833.75.163

## Loox5 LED 2020 / 2047 / 2048 / 3038 / 3039 bezel, Ø 66.5 mm



- > For surface mounting Loox LED 2020 / 2047 / 2048 / 3038 / 3039 downlights
- > Screw fixing
- > Zinc alloy
- > Order qty: 1 pc

Finish	Cat. No.
Polished chrome plated	833.72.802
Silver coloured	833.72.803
Stainless steel coloured	833.72.804

### YOU ALSO NEED:

**DRIVER**  
Page 5.157

**SWITCH**  
Page 5.160-166

**CONTROL**  
Page 5.178-180

**OPTIONAL ACCESSORIES**  
Pages 5.159, 5.167-168