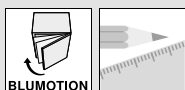




- ▶ **BLUMOTION for doors**
- ▶▶ **BLUMOTION 970. – for drilling, handle side**



BLUMOTION 970.

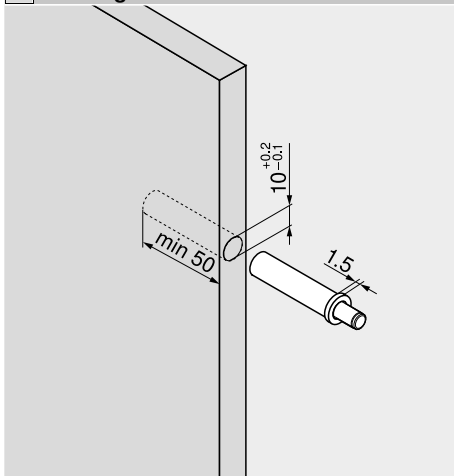


- BLUMOTION – perfect movement, quiet and easy
- For use with Blum hinges
- For drilling or in combination with adapter plates

Order information

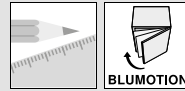
BLUMOTION 970.			
	Material	Colour	Part no.
	Nylon	RAL 7037 dust grey	970.1002

Planning



Page instructions

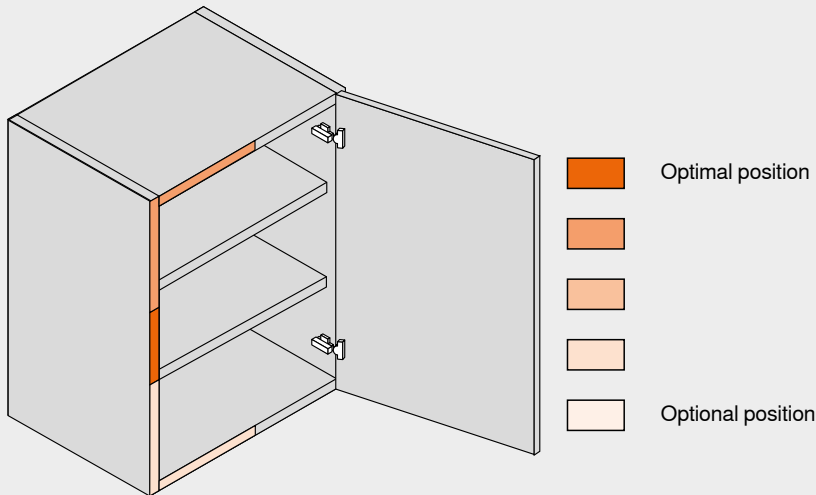
Overview – BLUMOTION for doors	539	Assembly		MINIPRESS P	708
Accessories – straight adapter plates	550	Drilling template for BLUMOTION	745	MINIPRESS M	712
Accessories – cruciform adapter plates	550	Template	742		
Assembly position and number required	549	Drilling template for mounting plates	743		
Assembly, removal and adjustment	553	PRO-CENTER	692		
		MINIPRESS PRO	696		



BLUMOTION 970.

Planning

Assembly position and number required



Because BLUMOTION for doors is customised for Blum hinges, the only way to get that perfect movement is to combine the two.

Some general notes regarding assembly position:

Distance from hinge: max. 600 mm

For glass door/Mini hinges: 1/2 door width

Normally, one BLUMOTION per door is sufficient. However, some circumstances may require the use of a second BLUMOTION, e.g. higher door weight, unstable doors (wooden frames, fixed fronts, large aluminium frame doors, etc.).

Up to 600 mm cabinet width – applicable for all CLIP top-hinges