

BRACKET

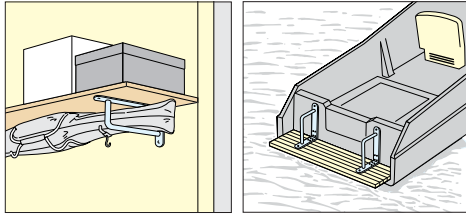
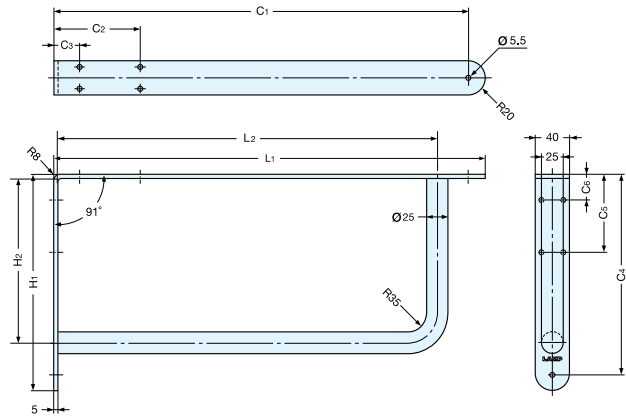
TEST METHOD

LOAD CAPACITY
50 kg
110 lbs

STAINLESS

STAINLESS 304 STEEL

BY



Installation

Material	Finish
304 Stainless Steel	Mirror

Item No.	L1	L2	H1	H2	C1	C2	C3	C4	C5	C6	Holes	Screw
BY-300	300 (11-13/16")	240	150 (5-29/32")	90	280	100		130	-		8	5x25, 5x16
BY-400	400 (15-3/4")	340	200 (7-7/8")	140	380	120	30	180	90	30	10	
BY-500	500 (19-11/16")	440	250 (9-27/32")	190	480	160		230				

Item No.	Load Capacity (kg)	Weight (g)	Box (pcs)	Carton (pcs)
BY-300	50 (110 lbs)	1100	2	6
BY-400		1400		
BY-500		1800		

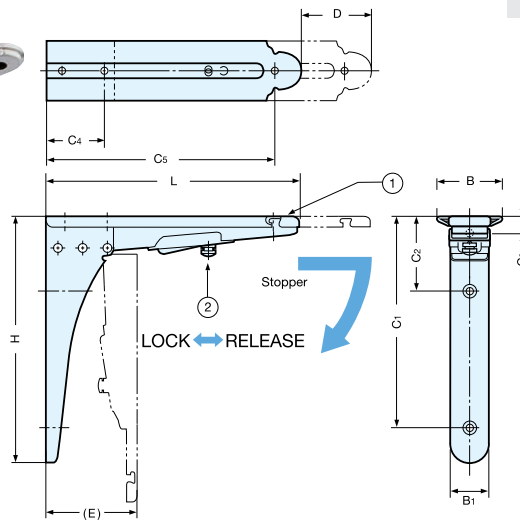
FOLDING BRACKET (W/STOPPER)

TEST METHOD

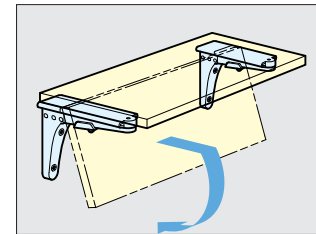
LOAD CAPACITY
33-40 kg
72-88 lbs

STAINLESS

BOS



- Folding bracket with locking bracket.
- Slide the locking bracket to lock /unlock in open position.



Installation

No.	Part Name	Material	Finish/Color
①	Body	304 Stainless Steel	Satin
②	Knob	Brass	Nickel
	Cap	Elastomer	Black

Item No.	L	H	B	B1	D	(E)	C1	C2	C3	C4	C5	Load Capacity (kg)/ pcs	Weight (g)	Box (pcs)	Carton (pcs)
BOS-180	181 (7-1/8")	181 (7-1/8")	45.5 (1-51/64")	26	50	(65)	155	56	11.5	42	162	40 (88 lbs)	476	1	20
BOS-240	240 (9-7/16")	245 (9-41/64")			58	(84)	210	70	12.5	80	215	33 (72 lbs)	770	1	20