

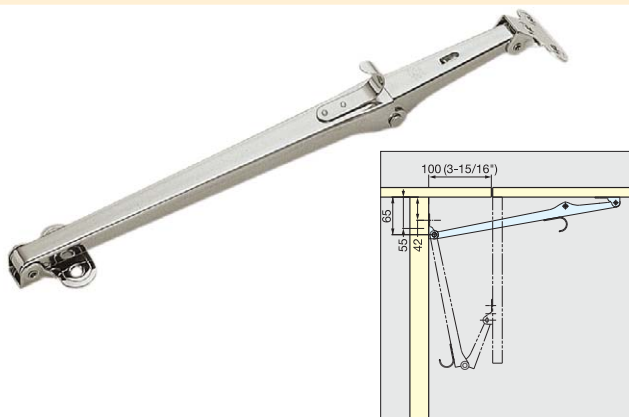
SPRING LOADED BRACKET

LOAD CAPACITY
3 kg
6.6 lbs

NO SCREW

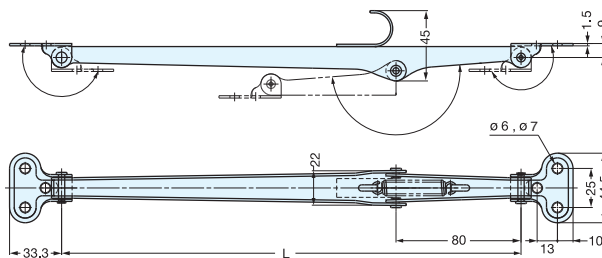
STAINLESS 304 STEEL

GTS-300



Installation

- Spring loaded for lift assist
- Pull the knob to fold down



| Material | Finish |
|---------------------|--------|
| 304 Stainless Steel | Satin |

| Item No. | L | Load Capacity (kg) | Panel Size | | Weight (g) | Box (pcs) | Carton (pcs) |
|----------|-----------------|--------------------|----------------|----------------|------------|-----------|--------------|
| | | | Depth | Width | | | |
| GTS-300 | 294 (11-37/64") | 3/1pc | Max.450mm/1pc | Max.300mm/1pc | 190 | 12 | 96 |
| | | 6/2pcs | Max.450mm/2pcs | Max.600mm/2pcs | | | |

FOLDING BRACKET

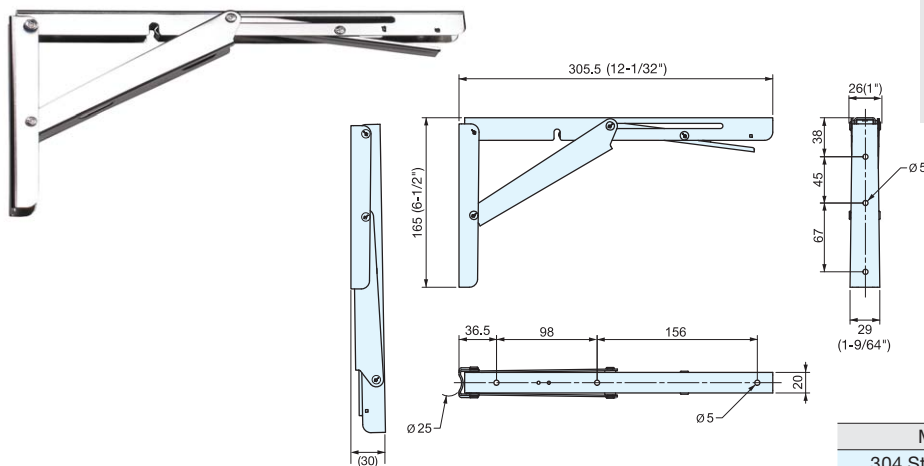
LOAD CAPACITY
150 kg
330 lbs

NSF

NO SCREW

STAINLESS 304 STEEL

EB-303/EP



- Automatically locks when flap is in open position
- Press lever to release the lock
- Bracket with hinge function in one unit

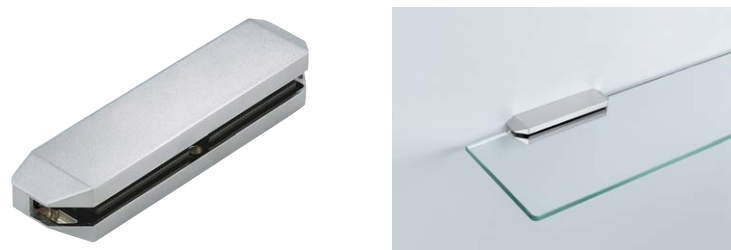
| Material | Finish |
|---------------------|------------------|
| 304 Stainless Steel | Electro Polished |

| Item No. | Load Capacity (kg) | Weight (g) | Carton (pcs) |
|-------------|--------------------|------------|--------------|
| EB-303 / EP | 150 (330 lbs) | 515 | 25 |

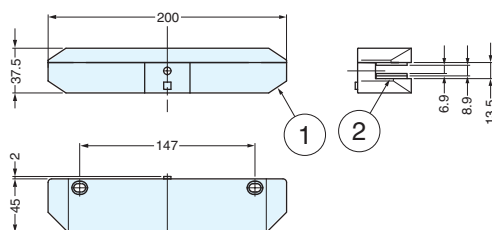
SHELF CLAMP (FOR GLASS SHELF)

XL-US01-S200

- Safety Design
- 2 clamps necessary for 1 shelf
- Glass shelf not included



Installation



| Item No. | Glass Thickness (mm) | Load Capacity (kg/pc) |
|--------------|----------------------|-----------------------|
| XL-US01-S200 | 8, 10 | *5.6 |

*e.g. W600 x D250 x Glass Thickness 8mm

| No. | Parts Name | Material | Finish |
|-----|------------|------------|--------|
| ① | Body | Zinc Alloy | Chome |
| ② | Washer | Elastomer | Black |