

# SWING HOOK (W/FRICTION)

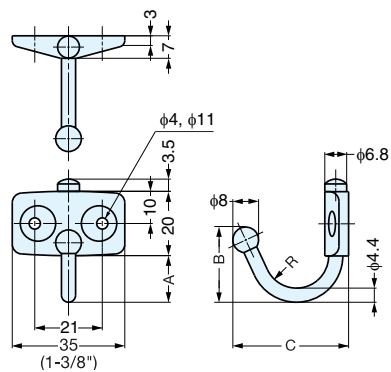
TEST METHOD

LOAD CAPACITY  
8-12 kg  
17-26 lbs

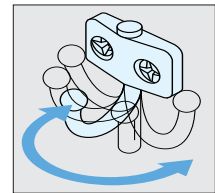
3.5x20  
STAINLESS

STAINLESS  
304  
STEEL

TK



- Swivels 180 degrees.
- Hook has constant torque when swiveling.
- Ideal for vibration or shock applications.



Installation

Material	Finish
304 Stainless Steel	Polished

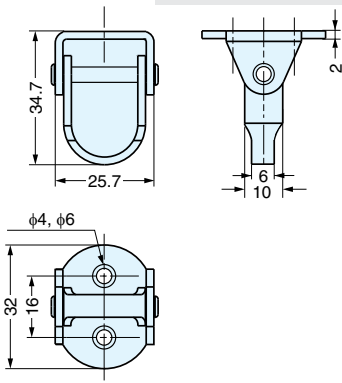
Item No.	A	B	C	R	Load Capacity (kg)	Weight (g)	Box (pcs)	Carton (pcs)
TK-30F	14.5	23.4 (69/64")	36 (1-27/64")	10	8 (17 lbs )	17	100	1000
TK-45F	19.4	28.4 (1-1/8")	44.3 (1-3/4")	15	12 (26 lbs )	20	100	1000

# SWING HOOK

3.5x16  
STAINLESS

STAINLESS  
304  
STEEL

RF-D35



- Can be used in various places (Ceiling, Wall)
- Supplied 3.5 x 16 Screw

Item No.	Weight (g)	Box (pcs)	Carton (pcs)	Material	Finish
RF-D35	27	50	400	304 Stainless Steel	Polished

# SWING HOOK

TEST METHOD

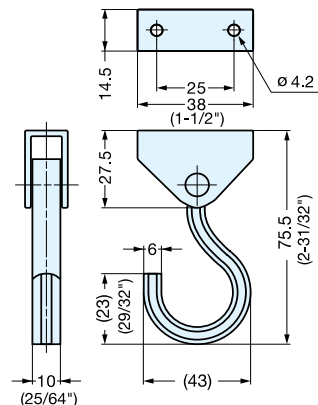
LOAD CAPACITY  
50 kg  
110 lbs

4x20  
STAINLESS

STAINLESS  
303  
STEEL

STAINLESS  
304  
STEEL

XL-JSF40TT



- Vertical swivel allows for under mount application.

Item No.	Load Capacity (kg)	Weight (g)	Box (pcs)	Carton (pcs)	Part Name	Material	Finish
XL-JSF40TT	50 (110 lbs)	70	20	120	Hook	303 Stainless Steel	Mirror
					Bracket	304 Stainless Steel	Satin Combination