

# HOOK

TEST METHOD

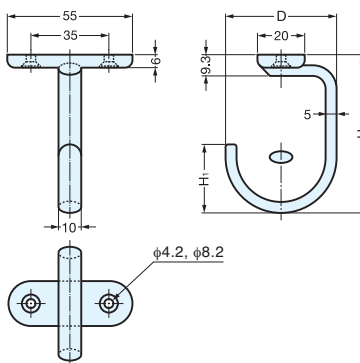
LOAD CAPACITY  
10 kg  
22 lbs

NSF

4x20  
STAINLESS

STAINLESS  
303  
STEEL

# DS-H



Item No.	D	H	H <sub>1</sub>	Load Capacity (kg)	Weight (g)	Box (pcs)	Carton (pcs)	Material	Finish
DS-H-50	50	70 ( 2-3/4" )	30	10 (22 lbs)	100	5	50	303 Stainless Steel	Mirror
DS-H-60	60	100 ( 3-15/16" )	40		105				

# HOOK

TEST METHOD

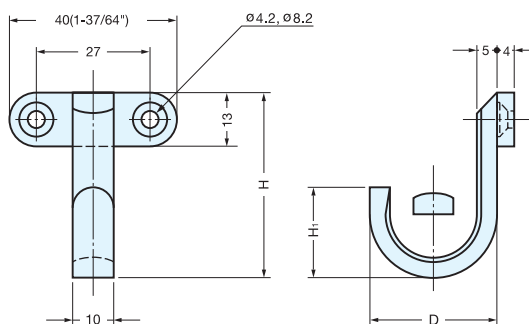
LOAD CAPACITY  
16 kg  
35 lbs

NSF

4x20  
STAINLESS

STAINLESS  
303  
STEEL

# KB-H



Item No.	D	H	H <sub>1</sub>	Load Capacity (kg)	Weight (g)	Box (pcs)	Carton (pcs)	Material	Finish
KB-H-35	35	45 ( 1-25/32" )	22	16 (35 lbs)	50	10	100	303 Stainless Steel	Mirror
KB-H-40	40	50 ( 1-31/32" )	25		55				

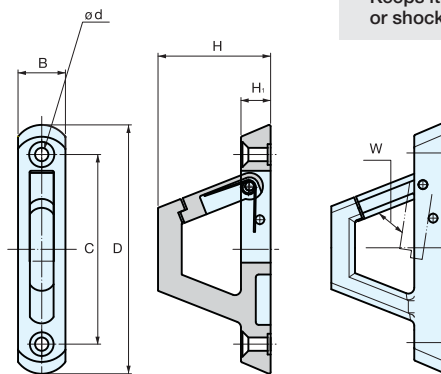
# LATCH HOOK

LOAD CAPACITY  
20 kg  
44 lbs

STAINLESS

STAINLESS  
316  
STEEL

# EN-K



• Keeps items hooked, ideal for vibration or shock application.

Item No.	D	C	B	H	H <sub>1</sub>	d	W	Load Capacity (kg)		Weight (g)	Box (pcs)	Carton (pcs)	Material	Finish
								Hook	Arm					
EN-K84	84 (3-5/16")	64	16 (5/8")	38 (1-1/2")	10 (25/64")	4.5, 8.5	Max.10	20 (44 lbs)	10 (22 lbs)	92	10	120	316 Stainless Steel	Polished
EN-K120	120 (4-23/32")	96	22 (7/8")	54 (2-1/8")	12 (15/32")	5.4, 10.5	Max.25	-	-	-	-	-	-	-