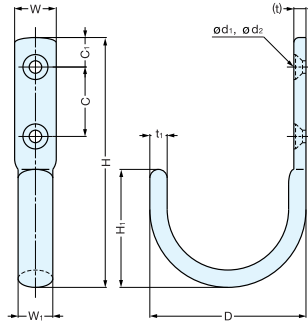


LARGE UTILITY HOOK

TEST METHOD LOAD CAPACITY 10-12 kg 22-26 lbs NSF STAINLESS STAINLESS 303 STEEL

JF-45M, 70M, 110M



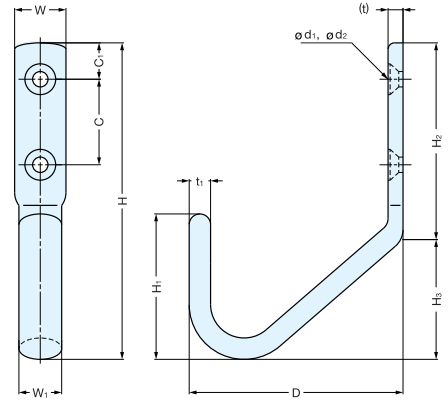
Material	Finish
303 Stainless Steel	Mirror

Item No.	D	W	W ₁	H	H ₁	C	C ₁	t	t ₁	d ₁	d ₂	Load Capacity (kg)	Weight (g)	Box (pcs)	Carton (pcs)	Screw
JF- 45M	45 (1-25/32")	12	10	72 (2-27/32")	34	20	8.5	3.5	5	3.8	7.2	10 (22 lbs)	40	20	120	3.5×16
JF- 70M	68 (2-43/32")	16	13	120 (4-23/32")	55	35	15	4	6	4.3	8.6		95	6	36	4.1×20
JF-110M	110 (4-21/32")	18	14	200 (7-7/8")	90	70	17	5.5	8	5.3	10.6	12 (26 lbs)	270	5	30	5.1×32

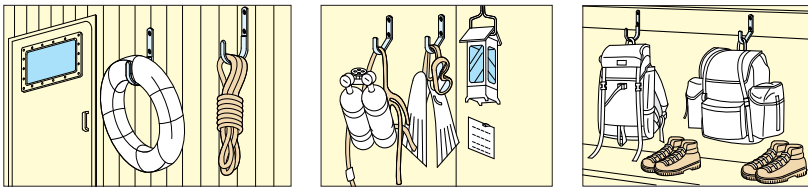
LARGE UTILITY HOOK

TEST METHOD LOAD CAPACITY 12-22 kg 26-48 lbs NSF STAINLESS STAINLESS 303 STEEL

JF-50M, 80M, 120M



Material	Finish
303 Stainless Steel	Mirror



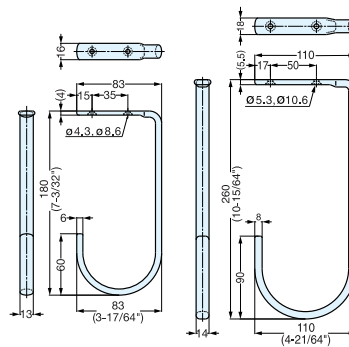
Installation

Item No.	D	W	W ₁	H	H ₁	H ₂	H ₃	C	C ₁	t	t ₁	d ₁	d ₂	Load Capacity (kg)	Weight (g)	Box (pcs)	Carton (pcs)	Screw
JF- 50M	50 (1-31/32")	12	10	74 (2-29/32")	34	46	28	20	8.5	3.5	5	3.8	7.2	12 (26 lbs)	40	20	120	3.5×16
JF- 80M	80 (3-5/32")	16	13	115 (4-17/32")	50	65	50	30	15	4	6	4.3	8.6	20 (44 lbs)	95	6	36	4.1×20
JF-120M	120 (4-23/32")	18	14	200 (7-7/8")	90	112	88	70	17	5.5	8	5.3	10.6	22 (48 lbs)	266	5	30	5.1×32

LARGE UTILITY HOOK

TEST METHOD LOAD CAPACITY 10-15 kg 22-33 lbs NSF STAINLESS STAINLESS 303 STEEL

JFT



JFT-180

JFT-260

Item No.	Load Capacity (kg)	Weight (g)	Box (pcs)	Carton (pcs)	Screw	Material	Finish
JFT-180M	10 (22 lbs)	180	5	30	4.5×25	303 Stainless Steel	Mirror
JFT-260M	15 (33 lbs)	380			5.1×38		