

LARGE UTILITY HOOK

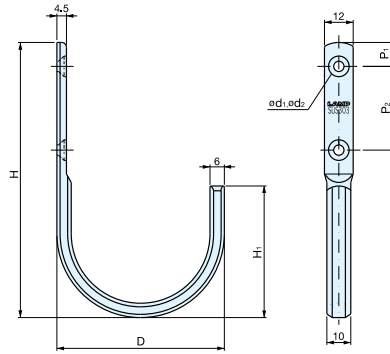
TEST METHOD

LOAD CAPACITY
14-19 kg
30-42 lbs

STAINLESS

STAINLESS 303 STEEL

XL-CUJ



Material	Finish
303 Stainless Steel	Mirror Satin combination

Item No.	D	H	H ₁	P ₁	P ₂	d ₁	d ₂	Load Capacity (kg)	Weight (g)	Box (pcs)	Carton (pcs)	Screw
XL-CUJ45TT	46 (1-13/16")	75 (2-61/64")	36	8.5	20	3.8	7.2	19 (42 lbs)	48	20	120	3.5x20
XL-CUJ70TT	72 (2-53/64")	112 (4-13/32")	56	10	35	4.3	8.6	14 (30 lbs)	82	10	60	4x20

LARGE UTILITY HOOK

TEST METHOD

LOAD CAPACITY
15-32 kg
33-70 lbs

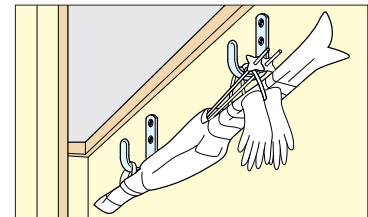
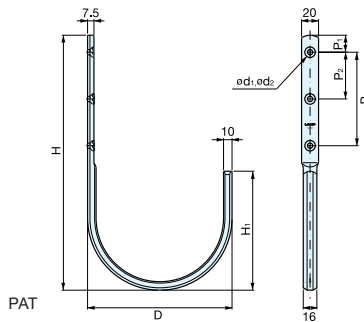
STAINLESS

STAINLESS 303 STEEL

XL-CUF



XL-CUF170TT



Installation

Item No.	D	H	H ₁	P ₁	P ₂	P ₃	d ₁	d ₂
XL-CUF110TT	112 (4-13/32")	198 (7-51/64")	91	17	-	70	5.2	10.5
XL-CUF170TT	173 (6-13/16")	300 (11-13/16")	138.5	20	55	110	6.2	12.5

Item No.	Load Capacity (kg)	Weight (g)	Box (pcs)	Carton (pcs)	Screw
XL-CUF110TT	32 (70 lbs)	357	5	30	5x30
XL-CUF170TT	15 (33 lbs)	552		20	6x30

Material	Finish
303 Stainless Steel	Mirror Satin combination

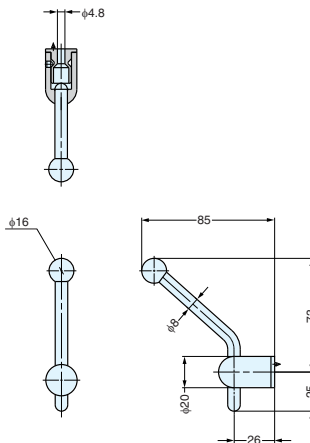
COAT HOOK

14.5x32
STAINLESS

FPV-01



PAT



Item No.	Box (pc)	Carton (pcs)	Material	Finish
FPV-01-GP	1	48	Brass	Gold Plating