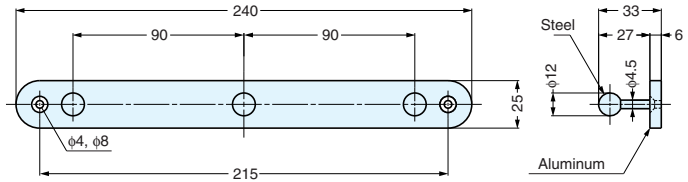


HOOK BOARD



MBF-240



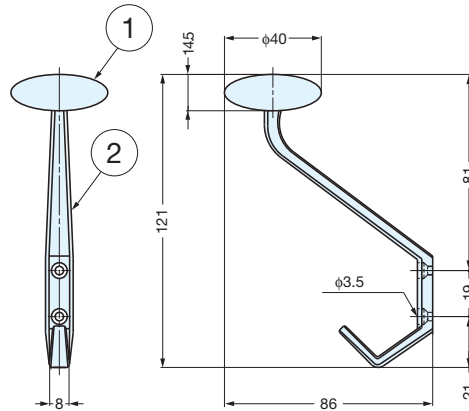
Item No.	Load Capacity / 1position(kg)	Weight (g)	Box (pcs)	Carton (pcs)
MBF240-G	6	120	10	100
MBF240-S				

Material	Finish
Steel & Aluminum	Gold (G)
	Silver (S)

STEEL WOOD HOOK



SW-B-90



• Laminated wood with phenolics resists water, oil, heat, etc.

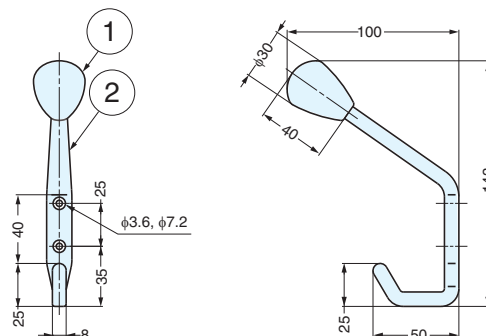
Item No.	Load Capacity (kg)	Weight (g)	Box (pcs)	Carton (pcs)
SW-B-90	Head : 2, Hook: 10	73	15	180

No.	Material	Finish
①	Natural Wood	Plain
②	Brass	Satin Nickel (SN)

STEEL WOOD HOOK



SW-B-140



• Laminated wood with phenolics resists water, oil, heat, etc.

Please specify the finish when ordering.

Item No.	Load Capacity (kg)	Weight (g)	Box (pcs)	Carton (pcs)
SW-B-140	Head: 3, Hook: 15	165	10	60

No.	Material	Finish
①	Natural Wood	Plain
②	Zinc Alloy	Gold (G) Satin Nickel (SN)