

RECESSED HOOK

TEST METHOD

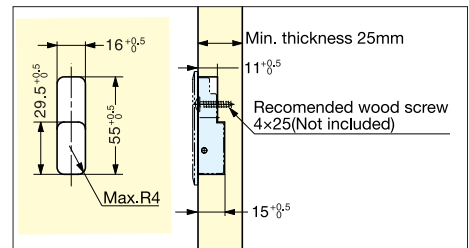
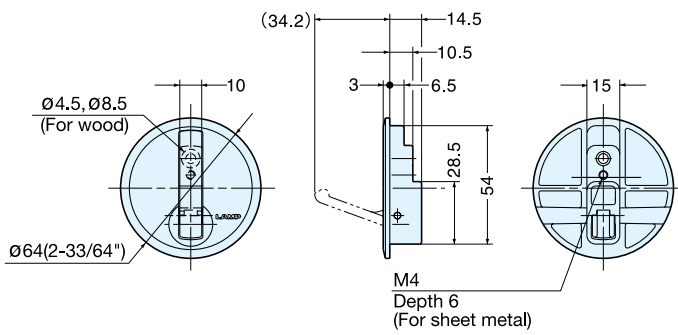
LOAD CAPACITY
20 kg
44 lbs

NF-R64

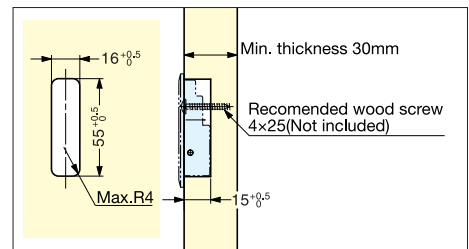
- Hook spring loaded to retract.
- Ideal for vibration or shock application.
- Panel Thickness:
Wood: Minimum 25 mm (1")
Sheet metal: 0.8 - 1.6 mm
*With optional bracket NF-50.



PAT



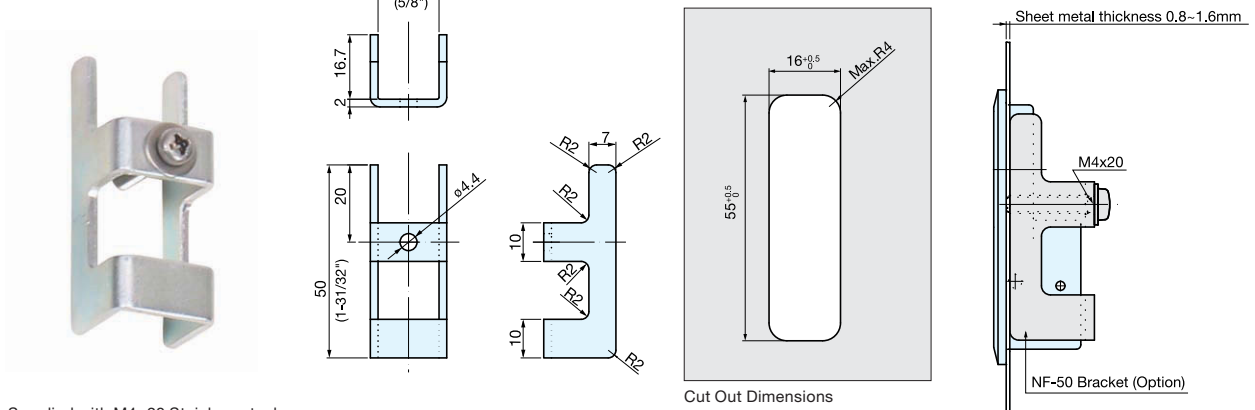
Bore Dimensions
(For thickness over 25-29mm)



Bore Dimensions
(For thickness over 30mm)

| Item No. | Load Capacity (kg) | Weight (g) | Box (pcs) | Carton (pcs) | Material | Finish |
|----------|--------------------|------------|-----------|--------------|------------|--------|
| NF-R64 | 20 | 90 | 10 | 120 | Zinc Alloy | Chrome |

Bracket for sheet metal application



Supplied with M4x20 Stainless steel screw.

| Item No. | Weight (g) | Box (pcs) | Carton (pcs) | Material | Finish |
|----------|------------|-----------|--------------|----------|---------------------|
| NF-50 | 22 | 20 | 400 | Steel | White Zinc Chromate |