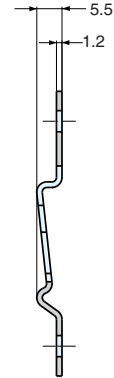
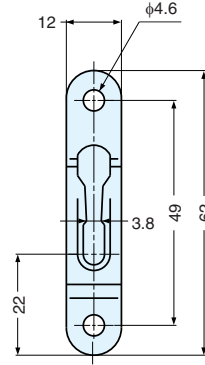
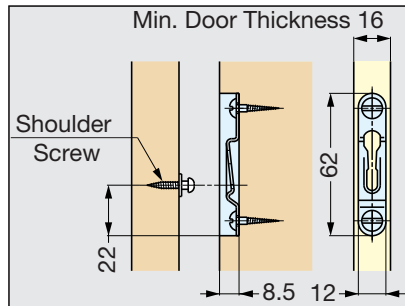
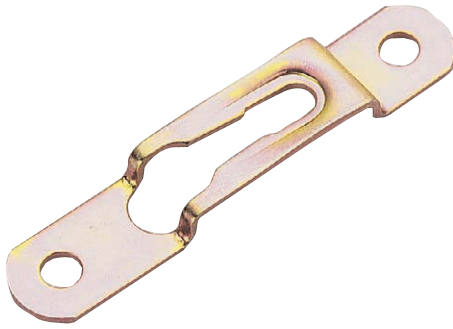


CONNECTING PART (CLIP)



4063A

• Used with Shoulder Screw part. (P.334)



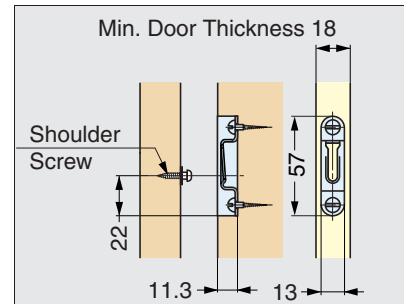
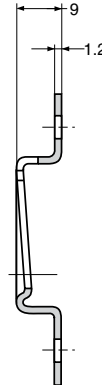
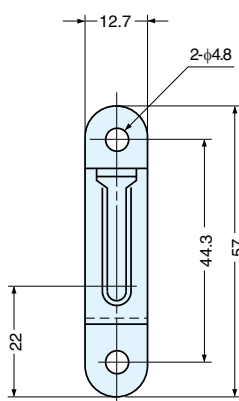
Item No.	Weight (g)	Box (pcs)	Carton (pcs)	Material	Finish
4063A	5.2	350	1500	Steel	Yellow Zinc Chromate

CONNECTING PART (CLIP)



5063

• Used with Shoulder Screw part. (P.334)



Item No.	Weight (g)	Box (pcs)	Carton (pcs)	Material	Finish
5063	5.9	300	1800	Steel	Black