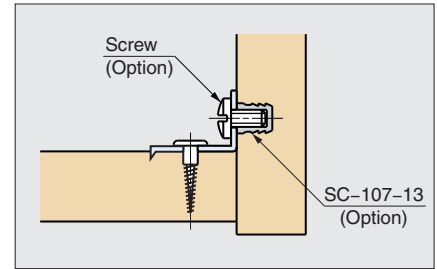
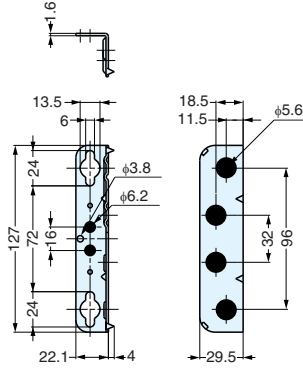
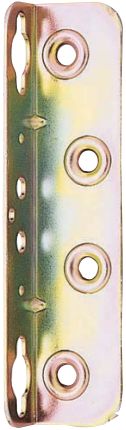


CONNECTING PART



BF-810



| Item No. | Weight (g) | Box (pcs) | Carton (pcs) |
|----------|------------|-----------|--------------|
| BF-810   | 69.3       | 50        | 500          |

| Material | Finish               |
|----------|----------------------|
| Steel    | Yellow Zinc Chromate |

Option (Insert Nut)

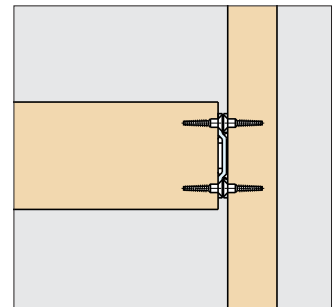
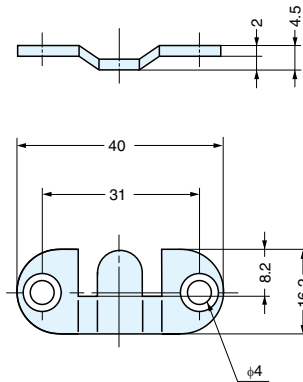
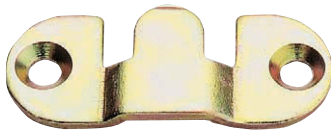
| Item No.  | Size    |
|-----------|---------|
| SC-107-13 | M6 x 13 |

| Material | Color |
|----------|-------|
| Nylon    | White |

CONNECTING PART



BF-857



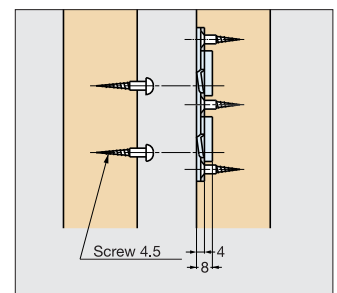
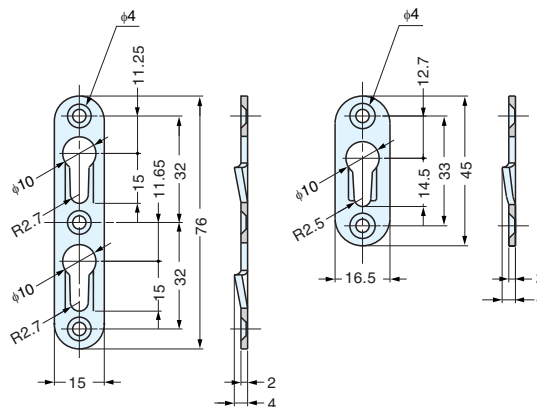
| Item No. | Weight (g) | Box (pcs) | Carton (pcs) |
|----------|------------|-----------|--------------|
| BF-857   | 7.4        | 500       | 2000         |

| Material | Finish               |
|----------|----------------------|
| Steel    | Yellow Zinc Chromate |

CONNECTING PART



BF-K



| Item No. | Weight (g) | Box (pcs) | Carton (pcs) |
|----------|------------|-----------|--------------|
| BF-KW    | 10.1       | 200       | 2000         |

| Material | Finish              |
|----------|---------------------|
| Steel    | Clear Zinc Chromate |