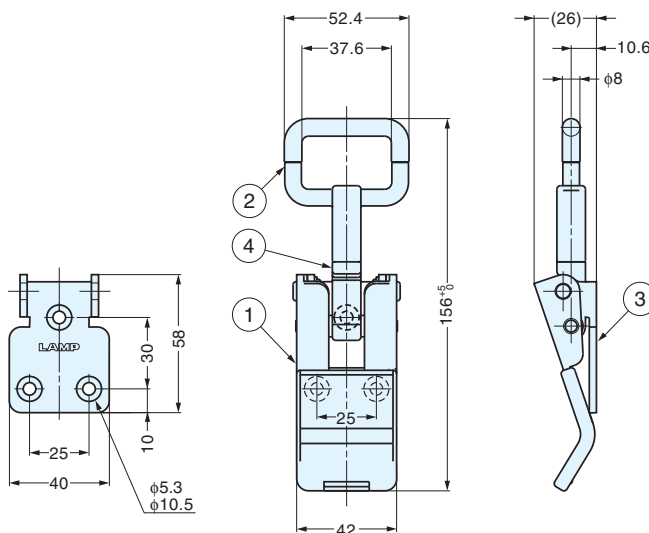


DRAW LATCH

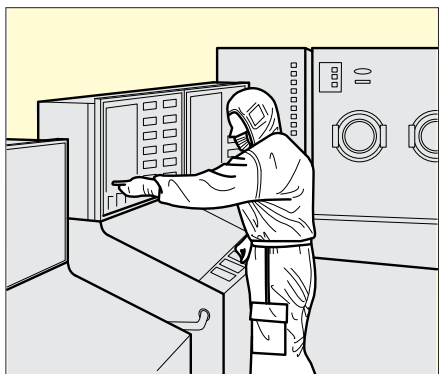
STAINLESS
316
STEEL

STF-CV150

- No metal-to-metal contact
- Ideal for clean room application
- When used in combination with the TF40C counter plate (below) will have 300kg load capacity



PAT.P

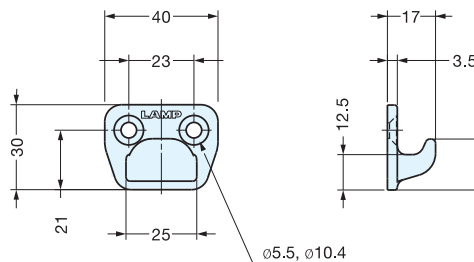


No.	Part Name	Material
①	Handle	316 Stainless Steel
②	Hook	SCS14 Stainless Steel (Similar to SUS316)
③	Base	316 Stainless Steel
④	Hook Screw	SCS14 Stainless Steel (Similar to SUS316)
⑤	Handle Cover	Polypropylene

Item No.	Load Capacity (kg)	Weight (g)	Material	Finish
STF-CV150	330	248	316 Stainless Steel	Polished

HEAVY DUTY COUNTER PLATE

TF40C



Item No.	Material	Finish	Weight (g)	Box (pcs)	Carton (pcs)
TF40C-ST	SCC14 Stainless Steel	Polished	48	5	20
TF40C-STM	(Similar to SUS316)	Mirror			