

Zwei L STAINLESS STEEL HOOK



ZL-2103

HOOKS

STAINLESS STEEL HOOK

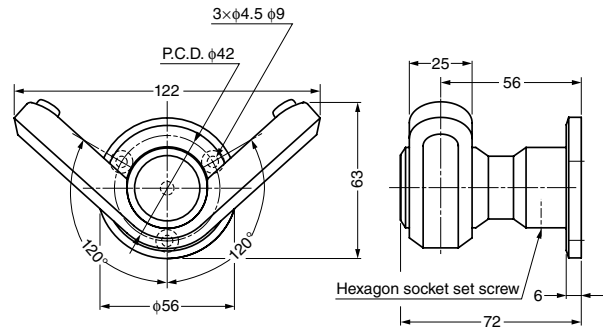


Features

- Made of highly corrosion resistant SUS316
- Ultrapremium Zwei L finish. Zwei L finish: Using top class polishing technology, these products combine the elegance of Satin with the deep glow of a Mirror.
- Comes with a plug, allowing for installation into hard surfaces like concrete
- Designed so that installation screw is not visible after installation

Parts Included

- Countersunk head wood screw 4.1 × 32 (SUS)
- Plug
- Hex key



Item Code	Item Name	Material	Finish	Weight	Box
110-020-412	ZL-2103	Stainless Steel (SUS316)	Zwei L Finish	841 g	1 pc

Zwei L STAINLESS STEEL HOOK



ZL-3401



ZL-3401-10

ZL-3401-16

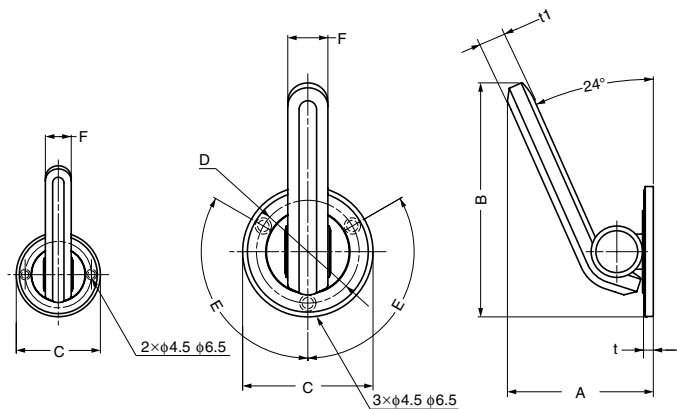
ZL-3401-25

Features

- Made of highly corrosion resistant SUS316
- Ultrapremium Zwei L finish. Zwei L finish: Using top class polishing technology, these products combine the elegance of Satin with the deep glow of a Mirror.
- Comes with an anchor plug, allowing for installation into hard surfaces like concrete or tile.

Parts Included

- Countersunk head tapping screw 4×30 (SUS)
- Anchor plug (for wood screw 4.1 φ6 mm hole)



ZL-3401-10

ZL-3401-16
ZL-3401-25

Item Code	Item Name	Material	Finish	A	B	C	D	E	F	t	t ₁	Load Capacity	Weight	Box	
110-021-835	ZL-3401-10	Stainless Steel (SUS316)	Zwei L Finish	36.7	60	37	24.5	90°	10	3.8	6	200 N	20.4 kgf	104 g	1 pc
110-021-836	ZL-3401-16	Stainless Steel (SUS316)	Zwei L Finish	58	93	52	41	120°	16	3.8	10	300 N	30.6 kgf	280 g	1 pc
110-021-837	ZL-3401-25	Stainless Steel (SUS316)	Zwei L Finish	91	145	80	65		25	6	16	400 N	40.8 kgf	909 g	1 pc