

HANDLE

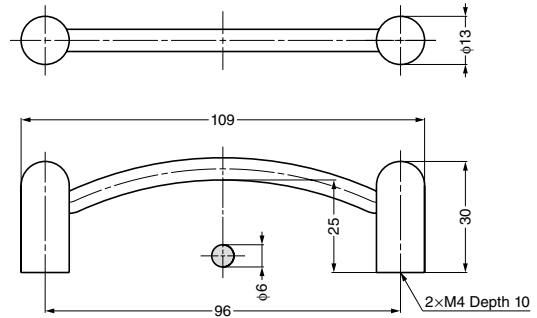


LX-110



Parts Included

Truss head screw M4x25



Item Code	Item Name	Material	Finish	Weight	Box	Carton
100-013-231	LX-110PB	Brass	Polished	85 g	10 pcs	160 pcs
100-013-232	LX-110WB	Brass	Satin Nickel	85 g	10 pcs	160 pcs

TAMAZUSA HANDLE (GOLD PLATED)



TMH



Features

- This interior concept is inspired by the splendor and traditional beauty of 16th century Japanese culture. By transplanting these designs into the modern world, the "Tamazusa" series was born. The series emulates "Ryusui" flowing water Japanese design and has gentle soft lines, providing a comforting and desirable aesthetic.
- The Tamazusa series has knobs, door handles and lever handles.
- This handle is covered in 24k gold plating.

Parts Included

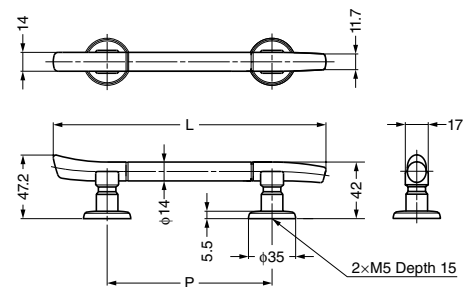
Truss head screw M5x30 (SUS)

Option

Base plate TMH-M35



Without base plate



Base Plate (Sold Separately)

Item Code	Item Name	Material	Finish	Weight
100-010-736	TMH-M35	Brass	24K Gold Plating	28 g

Body

Item Code	Item Name	Material	Finish	L	P	Weight
100-010-732	TMH- 96	Brass	24K Gold Plating, Black Nickel (Ring)	176	96	300 g
100-010-733	TMH-128	Brass	24K Gold Plating, Black Nickel (Ring)	208	128	338 g
100-010-734	TMH-160	Brass	24K Gold Plating, Black Nickel (Ring)	240	160	349 g
100-010-735	TMH-192	Brass	24K Gold Plating, Black Nickel (Ring)	272	192	383 g