

## Box systems

**blum**

- ▶ **METABOX**
- ▶▶ **Single extension**



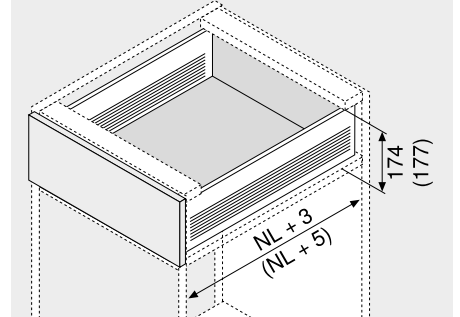
### Drawer/inner drawer – H



- Single extension with 150 mm high
- Drawer sides made from steel
- High impact nylon rollers
- Dyn. load bearing 25 kg
- BLUMATIC self closing feature
- 2-dimensional front adjustment

Webcode	Drawer	Inner drawer
	DQCMFY	DQCP9A

#### Space requirement



NL Nominal length  
( ) Inner drawer

#### Order information

<b>1</b>	<b>Cabinet profiles and drawer sides left/right</b>		
	<b>Colour</b>	R9001	
<b>Nominal length</b>	<b>Version</b>		
<b>NL (mm)</b>	<b>Screw-on version</b>	<b>Quick assembly version</b>	
350	320H3500C	320H3500C15	
400	320H4000C	320H4000C15	
450	320H4500C	320H4500C15	
500	320H5000C	320H5000C15	
550	320H5500C	320H5500C15	
Other colours available upon request (white or grey)			

<b>2a</b>	<b>CLIP front fixing brackets</b>		
	<b>Fixing</b>	<b>Part no.</b>	
	Screw-on	ZSF.1200	
	Knock-in	ZSF.1300	
	EXPANDO	ZSF.130E	
Order left/right			

<b>2b</b>	<b>Cover caps for 2a</b>		
	<b>Colour</b>	<b>Material</b>	<b>Part no.</b>
	R9001	Nylon	ZAA.3700
Order left/right			

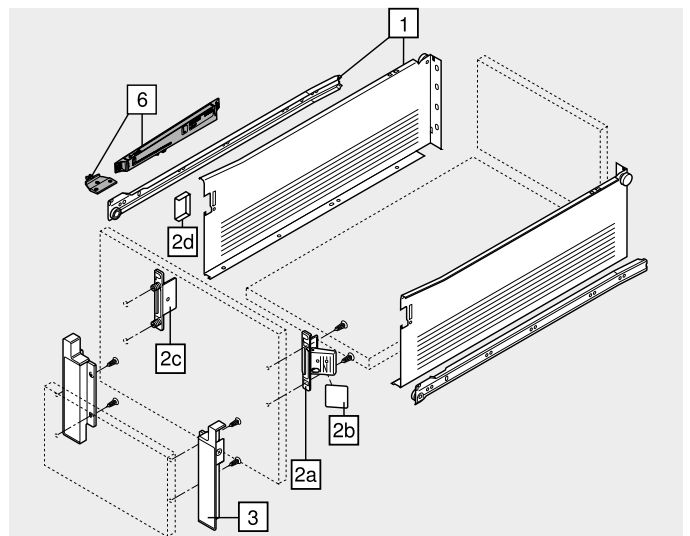
<b>Alternative to 2a</b>			
<b>2c</b>	<b>Standard front fixing brackets left</b>		
	<b>Fixing</b>	<b>Part no.</b>	
	Screw-on	ZSF.1700	
	Knock-in	ZSF.1800	
Order left/right			

<b>2d</b>	<b>Cover caps for 2c</b>		
	<b>Colour</b>	<b>Material</b>	<b>Part no.</b>
	R9001	Nylon	2 x ZAA.3500

<b>3</b>	<b>Front fixing for inner drawers</b>		
	<b>Colour</b>	<b>Material</b>	<b>Part no.</b>
	R9001	Nylon	ZIF.3050
Order left/right			

<b>Colour</b>	R9001   RAL 9001 cream	<b>Colour</b>	WGR   White grey
---------------	------------------------	---------------	------------------

<b>a</b>	<b>Accessories</b>		
<b>6</b>	<b>BLUMOTION for METABOX 320</b>		
	<b>Colour</b>	<b>Material</b>	<b>Part no.</b>
	WGR/R9001	Nylon	Z70.0320
Other colours available for latch upon request (white or grey)			





Drawer/inner drawer – H

Webcode	Drawer	Inner drawer
	DQCMFY	DQCP9A

Planning

Space requirement in cabinet	Installation dimensions – front – screw-on		Drilling distances – front – EXPANDO/knock-in	Installation dimensions – back
	Drawer	Inner drawer		

- \* +2 mm with BLUMOTION
- \* +3 mm for inner drawer with BLUMOTION

FA Front overlay

Screw position – cabinet profiles

Nominal length NL (mm)	Diagram
350	
400	
450	
500	
550	

Drawer  
Internal cabinet depth LT min. = nominal length NL + 3 mm  
Inner drawer  
Internal cabinet depth LT min. = nominal length NL + 5 mm

Cutting – 16 mm chipboard

	<b>Back</b> 135 mm	
	<b>Base</b> Drawer NL – 2 mm Inner drawer NL – 18 mm	
	<b>Front</b> Inner drawer 125 mm	
	KB Cabinet width LW Inner cabinet width NL Nominal length	

Base assembly for quick assembly version

	X (mm)
Drawer	69
Inner drawer	53

Page instructions

Overview – METABOX	397
Accessories	412
BLUMOTION for METABOX 320	415
Cabinet profile fixing positions	420
Assembly, removal and adjustment	421
Overview – assembly devices	683
More technical details	774