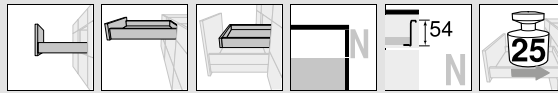


Box systems

blum

- ▶ METABOX
- ▶▶ Single extension



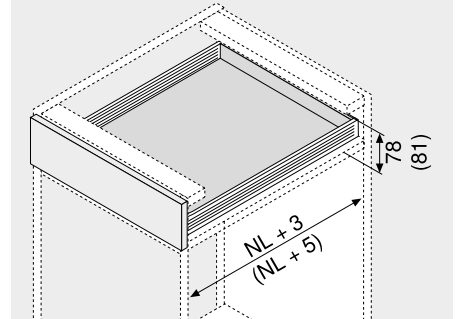
Drawer/inner drawer – N



- Single extension with 54 mm high
- Drawer sides made from steel
- High impact nylon rollers
- Dyn. load bearing 25 kg
- BLUMATIC self closing feature
- 2-dimensional front adjustment

Webcode	Drawer	Inner drawer
	DQCKBY	DQCN5A

Space requirement



NL Nominal length
() Inner drawer

Order information

1	Cabinet profiles and drawer sides left/right		
	Colour	R9001	
Nominal length	Version		
NL (mm)	Screw-on version	Quick assembly version	
270	320N2700C	320N2700C15	
350	320N3500C	320N3500C15	
400	320N4000C	320N4000C15	
450	320N4500C	320N4500C15	
500	320N5000C	320N5000C15	
550	320N5500C	320N5500C15	

Other colours available upon request (white or grey)

2c	Standard front fixing brackets left		
	Fixing	Part no.	
	Screw-on	ZSF.1510	
	Knock-in	ZSF.1610	

Order left/right

3	Front fixing for inner drawers		
	Colour	Material	Part no.
	R9001	Nylon	ZIF.3010

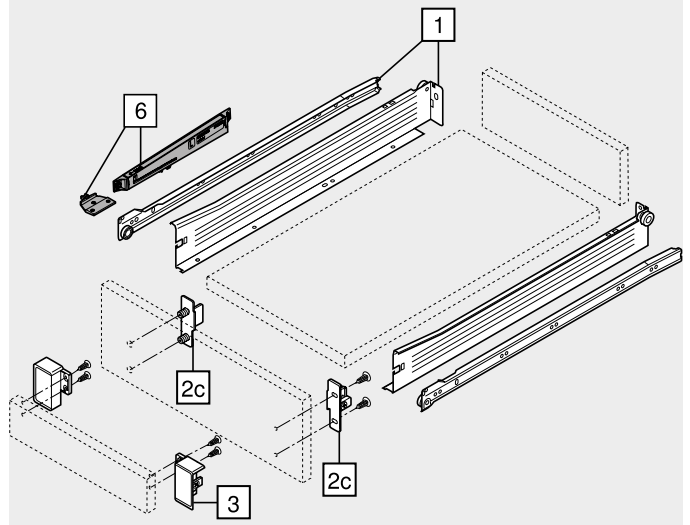
Order left/right

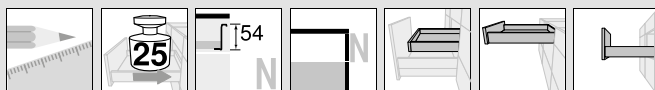
Colour	Colour
R9001 RAL 9001 cream	WGR White grey

a Accessories

6	BLUMOTION for METABOX 320		
	Colour	Material	Part no.
	WGR/R9001	Nylon	Z70.0320

Other colours available for latch upon request (white or grey)





Drawer/inner drawer – N

Webcode	Drawer	Inner drawer
	DQCKBY	DQCN5A

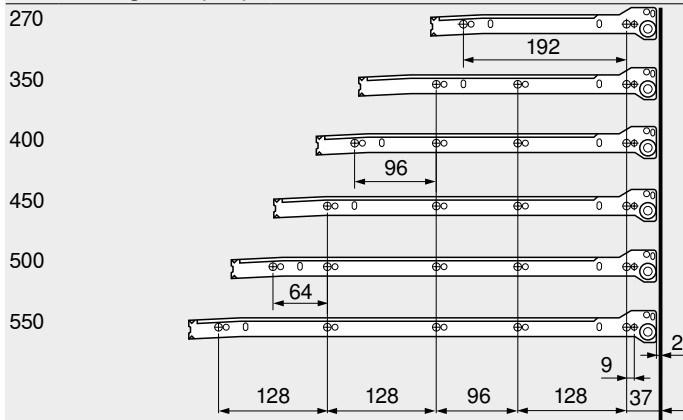
Planning

Space requirement in cabinet	Installation dimensions – front – screw-on		Drilling distances – front – EXPANDO/knock-in	Installation dimensions – back
	Drawer	Inner drawer		

- * +2 mm with BLUMOTION FA Front overlay
- * +3 mm for inner drawer with BLUMOTION

Screw position – cabinet profiles

Nominal length NL (mm)



Drawer
Internal cabinet depth LT min. = nominal length NL + 3 mm
Inner drawer
Internal cabinet depth LT min. = nominal length NL + 5 mm

Cutting – 16 mm chipboard

B	Back 39 mm	
A	Base Drawer NL – 2 mm Inner drawer NL – 18 mm	
C	Front Inner drawer 61 mm	

KB Cabinet width
LW Inner cabinet width
NL Nominal length

Base assembly for quick assembly version

	X (mm)
Drawer	69
Inner drawer	53

Page instructions

Overview – METABOX	397
Accessories	412
BLUMOTION for METABOX 320	415
Cabinet profile fixing positions	420
Assembly, removal and adjustment	421
Overview – assembly devices	683
More technical details	774