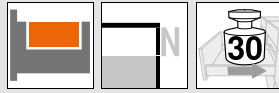


Box systems

blum

- ▶ TANDEMBOX intivo
- ▶▶ Standard cabinet



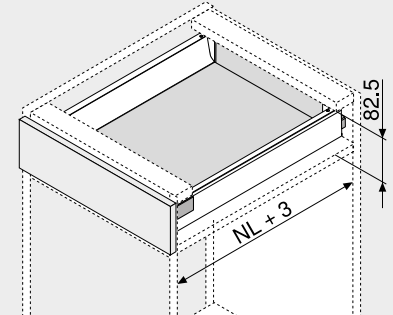
Drawer – N

Webcode
DQBVPA



- Concealed, guided full extension – unsurpassed running action – for the lifetime of the furniture
- Tool-free front assembly
- 2-dimensional front adjustment
- Includes integrated **BLUMOTION** for silent and effortless closing action, can be combined with **SERVO-DRIVE**
- Either with **TIP-ON BLUMOTION** for handle-less furniture, or even for furniture with handle elements as a design feature

Space requirement



NL Nominal length

Order information

1	Cabinet profiles left/right	
	BLUMOTION	
Nominal length	Dynamic carrying capacity (kg)	
NL (mm)	30	
400	578.4001B	
450	578.4501B	
500	578.5001B	
550	578.5501B	

2	Left/right drawer sides	
	Material	Steel
Nominal length	Colour	
NL (mm)	SW TS	
400	378N4002SA	
450	378N4502SA	
500	378N5002SA	
550	378N5502SA	

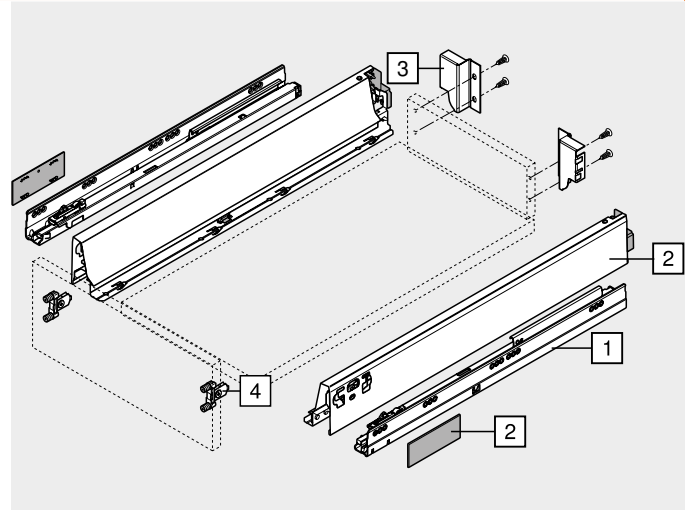
Incl. cover caps (Can be individually printed – minimum order quantity 1000 items)

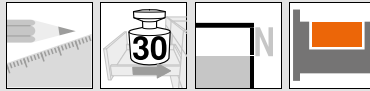
3	Back fixing left/right		
	Colour	Material	Part no.
	SW TS	Steel	Z30N000S.04

4	Front fixing bracket		
	Fixing method		Part no.
	INSERTA	2 x	ZSF.39A2
	Screw-on	2 x	ZSF.35A2
	Knock-in	2 x	ZSF.36A2

Colour		Colour	
SW	Silk white	TS	Terra black

@ | ☎ Check product availability





Drawer – N

Webcode
DQBVPA

Planning

Space requirement in cabinet	Installation dimensions – front – screw-on	Drilling distances – front – INSERTA knock-in	Installation dimensions – back
	<p>FA Front overlay</p>		

Screw position – cabinet profiles

Nominal length NL (mm)	Diagram
400	
450	
500	
550	

Internal cabinet depth LT min. = nominal length NL + 3 mm

Cutting – 16 mm chipboard

	<p>Back 69 mm</p>	
	<p>Base Chipboard back NL – 24 mm Steel back NL – 22 mm</p>	

KB Cabinet width
LW Internal cabinet width
NL Nominal length

Page instructions

Overview – TANDEMBOX intivo	271	Overview – assembly devices	595	Assembly, removal and adjustment
Overview – SERVO-DRIVE for LEGRABOX TANDEMBOX	379	More technical details	686	
TIP-ON BLUMOTION for TANDEMBOX	372			Short-URL www.blum.com/a340
CABLOXX	586			
Accessories – steel back	291			
Accessories	291			
Cabinet profile fixing positions	295			