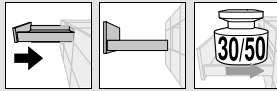


Runner systems



- ▶ TANDEM
- ▶▶ Locking device feature – full extension



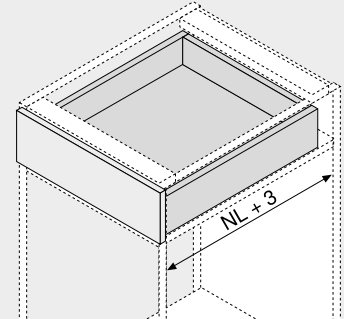
TANDEM plus BLUMOTION – 560H | 566H

Webcode
DQD1XA



- Concealed TANDEM full extension with integrated **BLUMOTION** for silent and effortless closing action
- Suitable for use with **SERVO-DRIVE** – the electrical opening support system
- Tool-free height adjustment via a locking device
- Tool-free integrated front tilt adjustment
- Built-in width and depth tolerance compensation
- TANDEM inside – unsurpassed running action – for the lifetime of the furniture

Space requirement



NL Nominal length

Order information

1	Runners left/right	
Nominal length NL (mm)	Dynamic carrying capacity (kg)	
	30	50
250	560H2500B	
270	560H2700B	
300	560H3000B	
320	560H3200B	
350	560H3500B	
380	560H3800B	
400	560H4000B	
420	560H4200B	
450	560H4500B	566H4500B01
480	560H4800B	
500	560H5000B	566H5000B01
520	560H5200B	566H5200B01
550	560H5500B	566H5500B01
580		566H5800B01
600	560H6000B	566H6000B01
650		566H6500B01
700		566H7000B01
750		566H7500B01

3	Locking device left/right		
	Material	Colour	Part no.
	Nylon/zinc	Orange	T51.1700.04

Order left/right

a	Accessories		
4	Front adjuster		
	Material	Colour	Part no.
	Nylon	Natural	295.1000

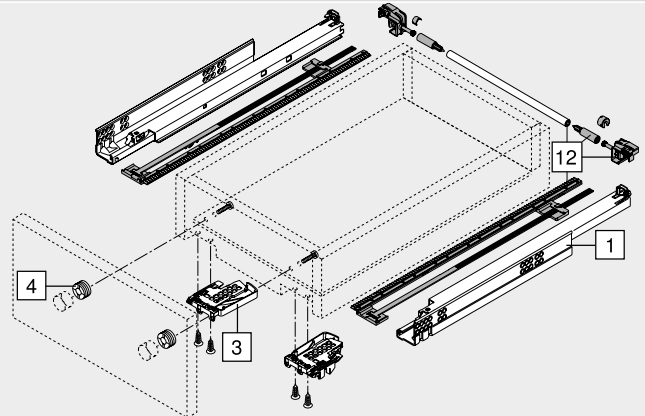
5	POSISTOP		
	Material	Colour	Part no.
	Nylon	RAL 7037 dust grey	298.5500

Depth stop

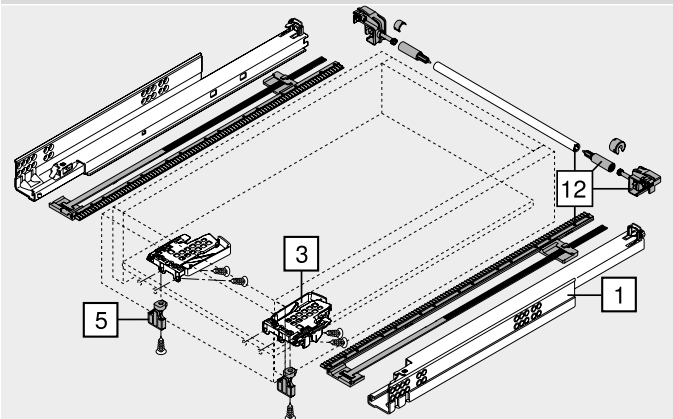
12	Side stabilisation set for full extension	
	Nominal length NL (mm)	Part no.
	Up to 410	ZST.410TV
	Up to 600	ZST.600TV
	Up to 750	ZST.750TV

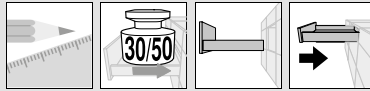
For cutting to size
Suitable for cabinet width KB 1400 mm

Drawer



Inner drawer



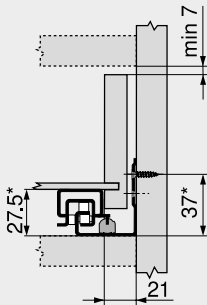


TANDEM plus BLUMOTION – 560H | 566H

Webcode
 DQD1XA

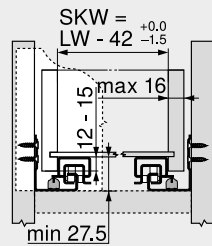
Planning

Space requirement in cabinet



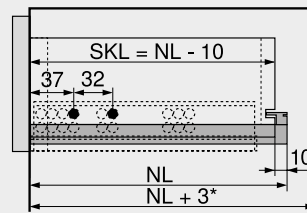
* +3 mm with side stabilisation

Drawer | inner drawer



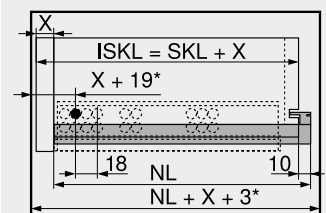
SKW Internal drawer width
 LW Internal cabinet width

Drawer



SKL Drawer length
 NL Nominal length
 * Additional +12 mm with side stabilisation

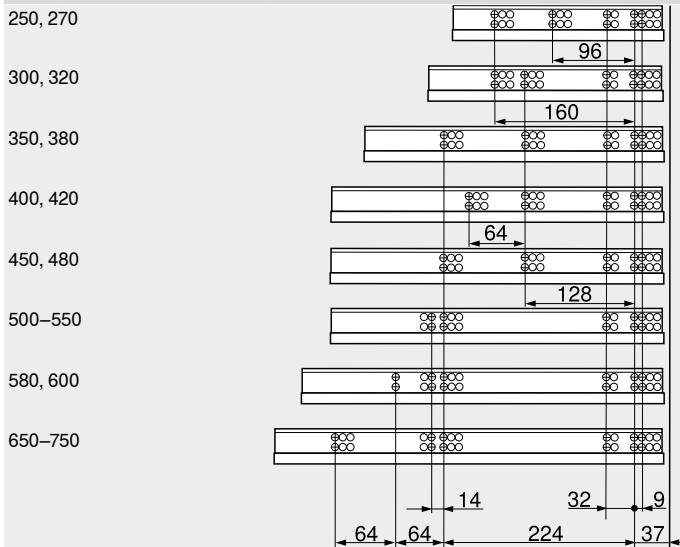
Inner drawer



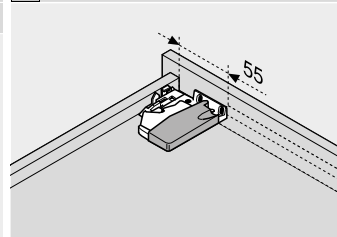
ISKL Inner drawer length
 SKL Drawer length
 NL Nominal length
 X Front thickness
 * Additional +2 mm with POSISTOP

Screw position – cabinet profiles

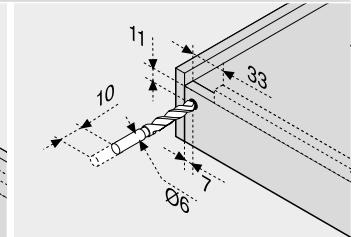
Nominal length NL (mm)



Drawer assembly



Use drilling template T65.1000.02



Use drilling template T65.1000.02

Page instructions

Overview – TANDEM	465	Assembly, removal and adjustment
Overview – SERVO-DRIVE for MOVENTO TANDEM	491	
CABLOXX	586	Short-URL
Accessories	484	
Cabinet profile fixing positions	488	www.blum.com/a420
Overview – assembly devices	595	
More technical details	686	

