

Box systems



- ▶ **LEGRABOX**
- ▶▶ **Standard cabinet – LEGRABOX pure**

High fronted pull-out – F

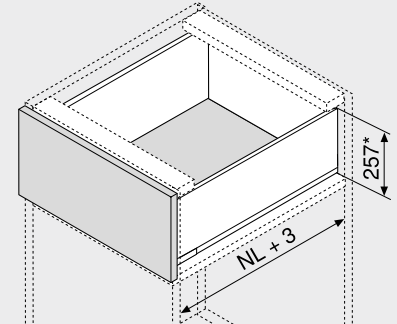
Webcode

DQBRHA



- Steel drawer side and stainless steel
- Straight interior and exterior
- Slim drawer side 12.8 mm
- Synchronised feather-light glide
- Includes integrated, switchable **BLUMOTION S** for silent and effortless closing, and can be combined with **SERVO-DRIVE** or **TIP-ON BLUMOTION**
- Tool-free front assembly
- Three-dimensional front adjustment in the drawer side

Space requirement



NL Nominal length
* Incl. 2 mm tilt adjustment

Order information

1	Cabinet profiles left/right	
	BLUMOTION S	
Nominal length	Dynamic carrying capacity (kg)	
NL (mm)	40	70
400	750.4001S	
450	750.4501S	753.4501S
500	750.5001S	753.5001S
550	750.5501S	753.5501S
600	750.6001S	753.6001S
650		753.6501S

2	Drawer side set	
	Drawer side height (mm) 241	
Nominal length	Colour	
NL (mm)	TS-M OG-M PS-M SW-M	INGL
400	770F4002S	770F4002I
450	770F4502S	770F4502I
500	770F5002S	770F5002I
550	770F5502S	770F5502I
600	770F6002S	770F6002I
650	770F6502S	770F6502I

Composed of:

- 2a 1 x Left/right drawer sides
- 2b 2 x Branding element, stamped with Blum logo, starting at 1000 pcs. individually printed
- 2c 2 x Cover caps

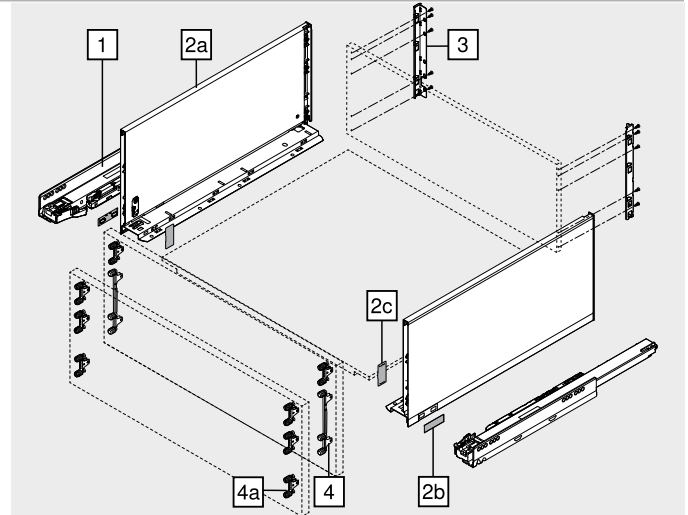
3	Back fixing left/right		
	Colour	Material	Part no.
	TS-M OG-M PS-M SW-M NI	Steel	ZB7F000S

4	Front fixing bracket		
	Fixing method	Part no.	
	Screw-on	2 x	ZF7M7002
	EXPANDO	2 x	ZF7M70E2
	EXPANDO T	2 x	ZF7M70T2

EXPANDO T suitable for thin fronts – see page instructions

4	Front fixing bracket		
	Fixing method	Part no.	
	Screw-on	2 x	ZF7C7002
	EXPANDO	2 x	ZF7C70E2
	EXPANDO T	2 x	ZF7C70T2

EXPANDO T suitable for thin fronts – see page instructions



Alternative to 4

4a	Front fixing bracket		
	Fixing method	Part no.	
	Screw-on	6 x	ZF7M7002
	EXPANDO	6 x	ZF7M70E2
	EXPANDO T	6 x	ZF7M70T2

EXPANDO T suitable for thin fronts – see page instructions

Accessories

–	Chipboard screws		
	Ø (mm)	Length (mm)	Part no.
	3.5	15	609.1500
	3.5	17	609.1700

For front fixing

–	Fixing screw		
	Ø (mm)	Length (mm)	Part no.
	4	15	61D.1500

For the connection of chipboard back fixings with chipboard back and drawer side with drawer bases

In order to achieve optimal assembly, we recommend that you use flat headed screws

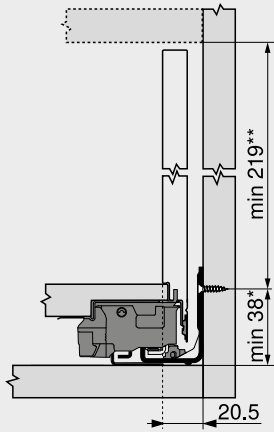
Colour		Colour	
TS-M	Terra black matt	SW-M	Silk white matt
OG-M	Orion grey matt	INGL	Stainless steel (Inox) Anti-fingerprint
PS-M	Polar silver matt	NI	Nickel plated

High fronted pull-out – F

Webcode
DQBRHA

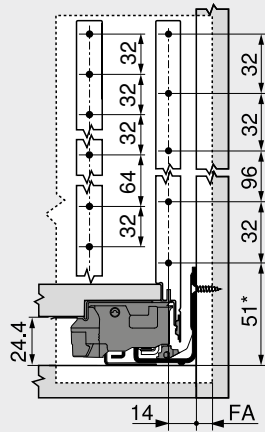
Planning

Space requirement in cabinet



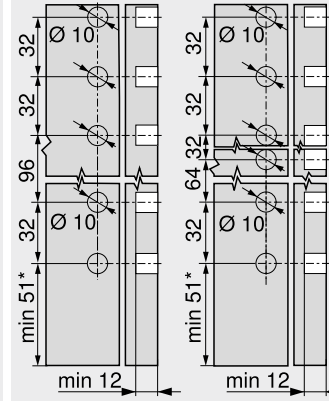
* +1 mm if cabinet profile is installed before the cabinet is assembled
** Incl. 2 mm tilt adjustment

Installation dimensions – front – screw-on



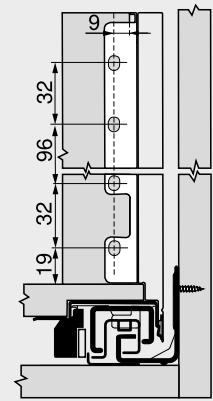
FA Front overlay
* +1 mm if cabinet profile is installed before the cabinet is assembled

Drilling distances – front – EXPANDO front



4 4a
* +1 mm if cabinet profile is installed before the cabinet is assembled

Installation dimensions – back front

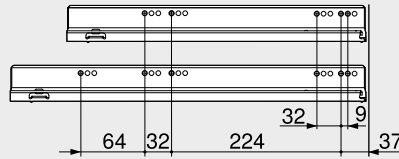


Hole spacing – cabinet profiles

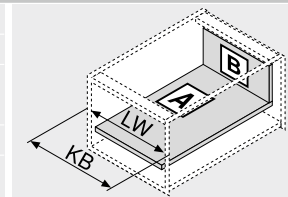
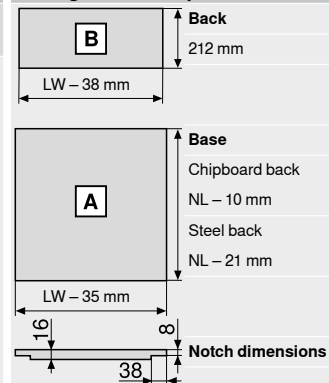
Cabinet profile 750 – 40 kg
Nominal length NL (mm)

400 | 450 | 500

550 | 600



Cutting – 16 mm chipboard



KB Cabinet width
LW Internal cabinet width
NL Nominal length

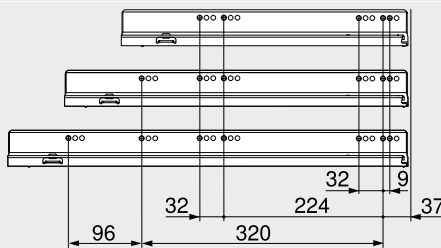
Cabinet profile 753 – 70 kg

Nominal length NL (mm)

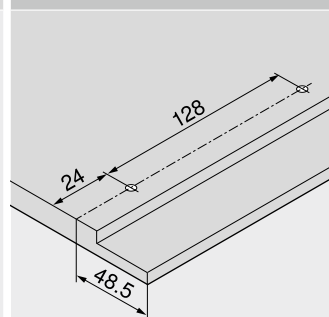
450

500 | 550 | 600

650




Drilling distances – drawer base



Internal cabinet depth LT min. = nominal length NL + 3 mm

Page instructions

Overview – LEGRABOX	205	Overview – TIP-ON BLUMOTION for LEGRABOX	249	Overview – assembly devices	561
Fixing system for thin fronts – EXPANDO T	554	Overview – TIP-ON for LEGRABOX	255	More technical details	662
Assembly recommendation and limitation of liability – EXPANDO T	555	Overview – AMBIA-LINE for LEGRABOX	503	Assembly, removal and adjustment  Short-URL www.blum.com/a310	
Overview – SERVO-DRIVE for LEGRABOX TANDEMBOX	321	CABLOXX	552		
		Accessories – steel back	243		
		Accessories	243		
		Cabinet profile fixing positions	247		