

Box systems

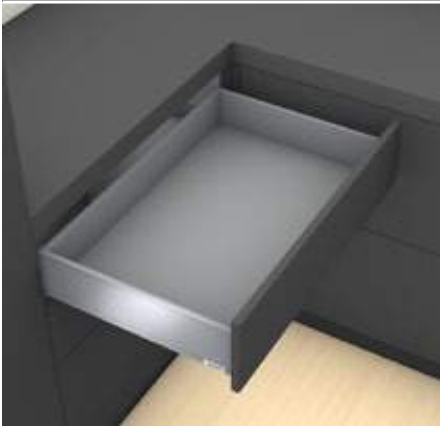


- ▶ **LEGRABOX**
- ▶▶ **Standard cabinet**

Drawer – K

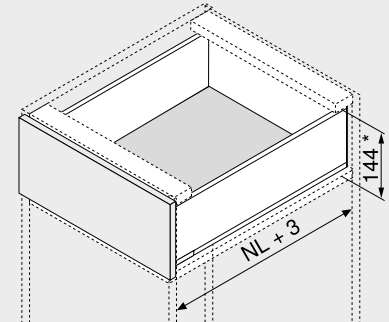
Webcode

DQBNYM



- Suitable for LEGRABOX pure and LEGRABOX free
- Steel drawer side and stainless steel
- Straight interior and exterior
- Slim drawer side 12.8 mm
- Synchronised feather-light glide
- Includes integrated, switchable **BLUMOTION S** for silent and effortless closing, and can be combined with **SERVO-DRIVE** or **TIP-ON BLUMOTION**
- Tool-free front assembly
- Three-dimensional front adjustment in the drawer side

Space requirement



NL Nominal length
* Incl. 2 mm tilt adjustment

Order information

1		Cabinet profiles left/right	
		BLUMOTION S	
	Nominal length	Dynamic carrying capacity (kg)	
	NL (mm)	40 70	
	300	750.3001S	
	350	750.3501S	
	400	750.4001S	
	450	750.4501S	753.4501S
	500	750.5001S	753.5001S
	550	750.5501S	753.5501S
	600	750.6001S	753.6001S

2		Drawer side set	
		Drawer side height (mm) 128.5	
	Nominal length	Colour	
	NL (mm)	TS-M OG-M PS-M SW-M INGL	
	300	770K3002S	
	350	770K3502S	770K3502I
	400	770K4002S	770K4002I
	450	770K4502S	770K4502I
	500	770K5002S	770K5002I
	550	770K5502S	770K5502I
	600	770K6002S	

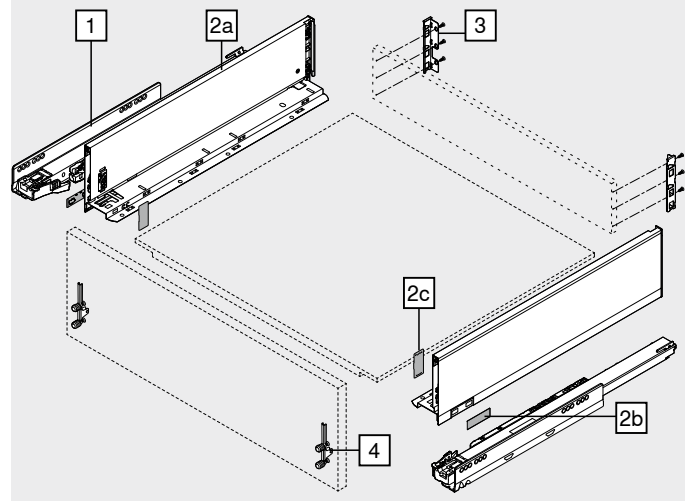
Composed of:

- 2a 1 x Left/right drawer sides
- 2b 2 x Branding element, stamped with Blum logo, starting at 1000 pcs. individually printed
- 2c 2 x Cover caps

3		Back fixing left/right
	Colour	Material Part no.
	TS-M OG-M PS-M SW-M NI	Steel ZB7K000S

4		Front fixing bracket
	Fixing method	Part no.
	Screw-on	2 x ZF7K7002
	EXPANDO	2 x ZF7K70E2
	EXPANDO T	2 x ZF7K70T2

EXPANDO T suitable for thin fronts – see page instructions



Accessories

–	Chipboard screws		
	Ø (mm)	Length (mm)	Part no.
	3.5	15	609.1500
	3.5	17	609.1700

For front fixing

–	Fixing screw		
	Ø (mm)	Length (mm)	Part no.
	4	15	61D.1500

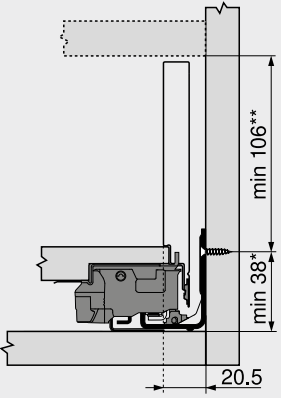
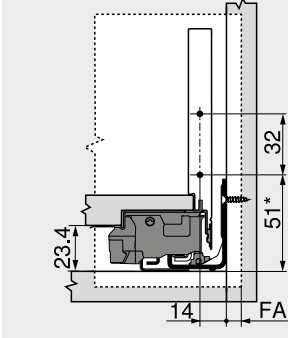
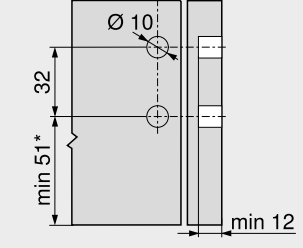
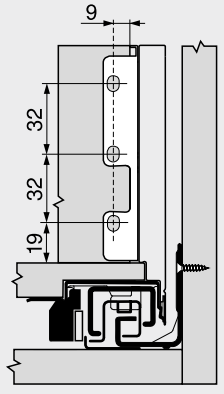
For the connection of chipboard back fixings with chipboard back and drawer side with drawer bases
In order to achieve optimal assembly, we recommend that you use flat headed screws

Colour	Colour	Colour	Colour
TS-M	Terra black matt	SW-M	Silk white matt
OG-M	Orion grey matt	INGL	Stainless steel (Inox) Anti-fingerprint
PS-M	Polar silver matt	NI	Nickel plated

Drawer – K

Webcode
DQBNYM

Planning

Space requirement in cabinet	Installation dimensions – front – screw-on	Drilling distances – front – EXPANDO front	Installation dimensions – back
			
<p>* +1 mm if cabinet profile is installed before the cabinet is assembled</p> <p>** Incl. 2 mm tilt adjustment</p>	<p>FA Front overlay</p> <p>* +1 mm if cabinet profile is installed before the cabinet is assembled</p>	<p>* +1 mm if cabinet profile is installed before the cabinet is assembled</p>	

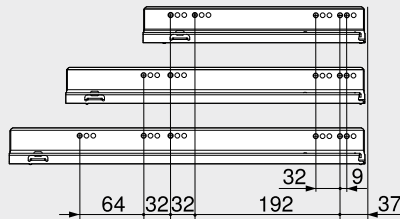
Hole spacing – cabinet profiles

Cabinet profile 750 – 40 kg
Nominal length NL (mm)

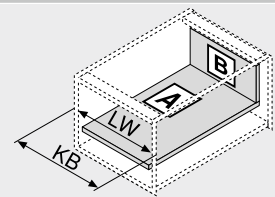
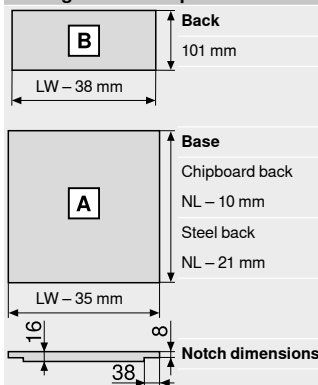
300 | 350

400 | 450 | 500

550 | 600



Cutting – 16 mm chipboard



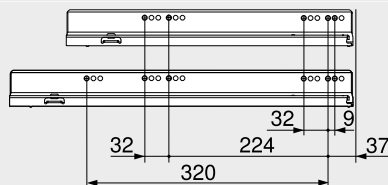
KB Cabinet width
LW Internal cabinet width
NL Nominal length

Cabinet profile 753 – 70 kg

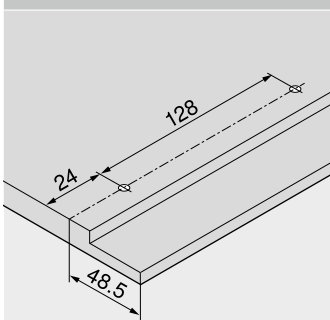
Nominal length NL (mm)

450

500 | 550 | 600




Drilling distances – drawer base



Internal cabinet depth LT min. = nominal length NL + 3 mm

Page instructions

Overview – LEGRABOX	205	Overview – TIP-ON BLUMOTION for LEGRABOX	249	Overview – assembly devices	561
Fixing system for thin fronts – EXPANDO T	554	Overview – TIP-ON for LEGRABOX	255	More technical details	662
Assembly recommendation and limitation of liability – EXPANDO T	555	Overview – AMBIA-LINE for LEGRABOX	503	Assembly, removal and adjustment	
Overview – SERVO-DRIVE for LEGRABOX TANDEMBOX	321	CABLOXX	552		
		Accessories – steel back	243	Short-URL	
		Accessories	243	www.blum.com/a310	
		Cabinet profile fixing positions	247		