

Box systems



- ▶ **LEGRABOX**
- ▶▶ **Standard cabinet**

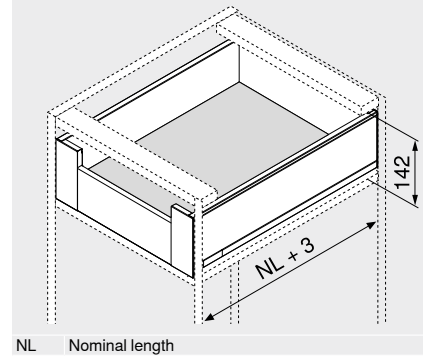
Inner drawer – K

Webcode
DQGPIM



- Inner drawer with mid-height solid front piece
- Suitable for LEGRABOX pure and LEGRABOX free
- Steel drawer side and stainless steel
- Straight interior and exterior
- Slim drawer side 12.8 mm
- Synchronised feather-light glide
- Includes integrated, switchable **BLUMOTION S** for silent and effortless closing, and can be combined with **SERVO-DRIVE** or **TIP-ON BLUMOTION**
- Tool-free front assembly
- Three-dimensional front adjustment in the drawer side

Space requirement



Box systems

Order information

1		Cabinet profiles left/right	
		BLUMOTION S	
Nominal length		Dynamic carrying capacity (kg)	
NL (mm)	40	70	
300		750.3001S	
350		750.3501S	
400		750.4001S	
450		750.4501S	753.4501S
500		750.5001S	753.5001S
550		750.5501S	753.5501S
600		750.6001S	753.6001S

2		Drawer side set	
		Drawer side height (mm) 128.5	
Nominal length		Colour	
NL (mm)		TS-M OG-M PS-M SW-M	INGL
300		770K3002S	
350		770K3502S	770K3502I
400		770K4002S	770K4002I
450		770K4502S	770K4502I
500		770K5002S	770K5002I
550		770K5502S	770K5502I
600		770K6002S	

Composed of:

- 2a 1 x Left/right drawer sides
- 2b 2 x Branding element, stamped with Blum logo, starting at 1000 pcs. individually printed
- 2c 2 x Cover caps

3		Back fixing left/right	
		Colour	Part no.
		TS-M OG-M PS-M SW-M NI	Steel
			ZB7K000S

4		Front piece set	
		Colour	Part no.
		TS-M OG-M PS-M SW-M	Steel
		INGL	Stainless steel
			Z17.0KS0
			Z17.0KI0

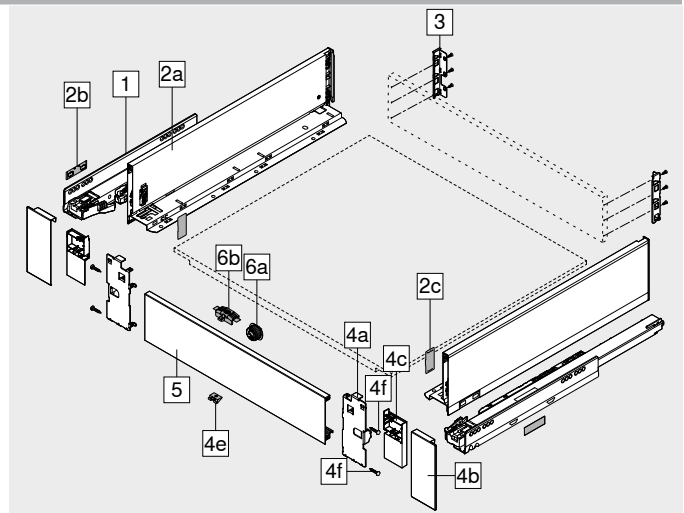
Composed of:

- 4a 1 x Front fixing left/right
- 4b 1 x Outer cover cap left/right
- 4c 1 x Interior cover cap left/right
- 4e 1 x Locking piece
- 4f 4 x Screws

5		Front piece without groove	
		Colour	Part no.
		TS-M OG-M PS-M SW-M NI-M	1043
			ZV7.1043C01

Suitable for cabinet width KB 1200 mm

Cutting Internal cabinet width LW – 126 mm



Accessories

6		Latch set	
		Colour	Material
		TS-M OG-M PS-M SW-M	Nylon
			Part no.
			Z17.0M07

Composed of:

- 6a 1 x Latch
 - 6b 1 x Latch housing
- RAL 7037 dust grey
TS-M Also for INGL

–		Fixing screw	
		Ø (mm)	Length (mm)
		4	15
			Part no.
			61D.1500

For the connection of chipboard back fixings with chipboard back and drawer side with drawer bases
In order to achieve optimal assembly, we recommend that you use flat headed screws

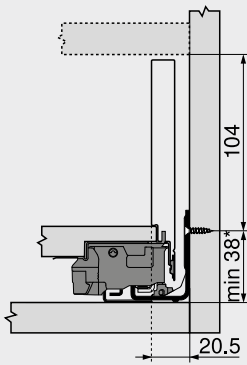
Colour		Colour	
TS-M	Terra black matt	INGL	Stainless steel (Inox) Anti-fingerprint
OG-M	Orion grey matt	NI	Nickel plated
PS-M	Polar silver matt	NI-M	Matt nickel
SW-M	Silk white matt		

Inner drawer – K

Webcode
DQGPIM

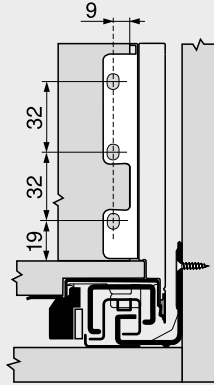
Planning

Space requirement in cabinet

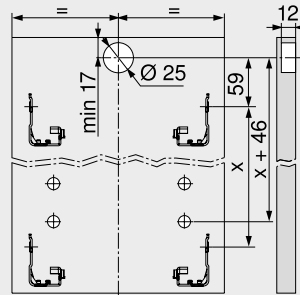


* +1 mm if cabinet profile is installed before the cabinet is assembled

Installation dimensions – back



Drilling distances – front – latch housing



Hole spacing – cabinet profiles

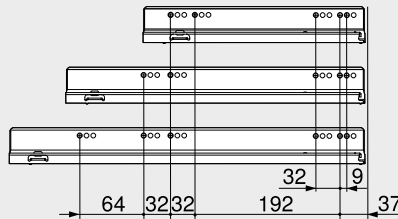
Cabinet profile 750 – 40 kg

Nominal length NL (mm)

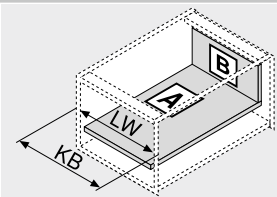
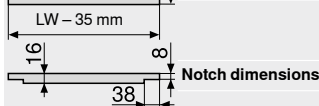
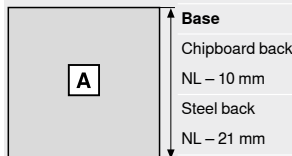
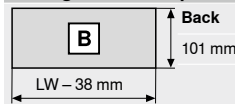
300 | 350

400 | 450 | 500

550 | 600



Cutting – 16 mm chipboard



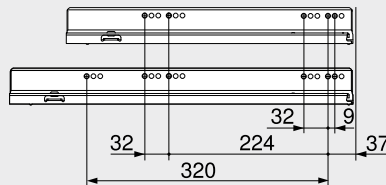
KB Cabinet width
LW Internal cabinet width
NL Nominal length

Cabinet profile 753 – 70 kg

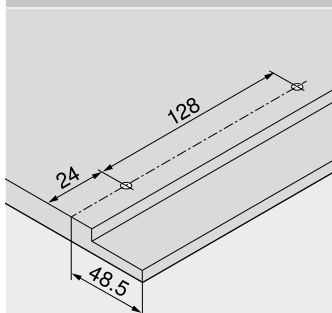
Nominal length NL (mm)

450

500 | 550 | 600



Drilling distances – drawer base



Internal cabinet depth LT min. = nominal length NL + 3 mm

Page instructions

Overview – LEGRABOX	205	Accessories – steel back	243	Assembly, removal and adjustment
Overview – SERVO-DRIVE for LEGRABOX TANDEMBOX	321	Accessories	243	
Overview – TIP-ON BLUMOTION for LEGRABOX	249	Cabinet profile fixing positions	247	
Overview – TIP-ON for LEGRABOX	255	Overview – assembly devices	561	
Overview – AMBIA-LINE for LEGRABOX	503	More technical details	662	
Overview – CABLOXX	552			
				Short-URL
				www.blum.com/a310

