

Box systems



- ▶ **LEGRABOX**
- ▶▶ **Standard cabinet**

Inner drawer – M

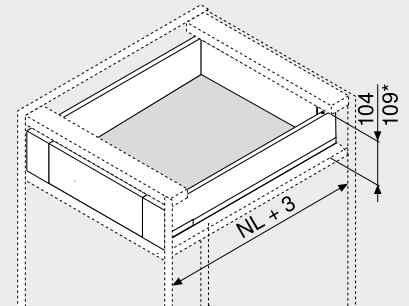
Webcode

DQBPD



- Inner drawer with solid front piece
- Suitable for LEGRABOX pure and LEGRABOX free
- Steel drawer side and stainless steel
- Straight interior and exterior
- Slim drawer side 12.8 mm
- Synchronised feather-light glide
- Includes integrated, switchable **BLUMOTION S** for silent and effortless closing, and can be combined with **SERVO-DRIVE** or **TIP-ON BLUMOTION**
- Tool-free front assembly
- Three-dimensional front adjustment in the drawer side

Space requirement



NL Nominal length
* Inner drawer with latch set

Order information

1	Cabinet profiles left/right	
	BLUMOTION S	
Nominal length	Dynamic carrying capacity (kg)	
NL (mm)	40	70
270	750.2701S	
300	750.3001S	
350	750.3501S	
400	750.4001S	
450	750.4501S	753.4501S
500	750.5001S	753.5001S
550	750.5501S	753.5501S
600	750.6001S	753.6001S
650		753.6501S

2	Drawer side set	
	Drawer side height (mm) 90.5	
Nominal length	Colour	
NL (mm)	TS-M OG-M PS-M SW-M	INGL
270	770M2702S	770M2702I
300	770M3002S	770M3002I
350	770M3502S	770M3502I
400	770M4002S	770M4002I
450	770M4502S	770M4502I
500	770M5002S	770M5002I
550	770M5502S	770M5502I
600	770M6002S	770M6002I
650	770M6502S	770M6502I

Composed of:

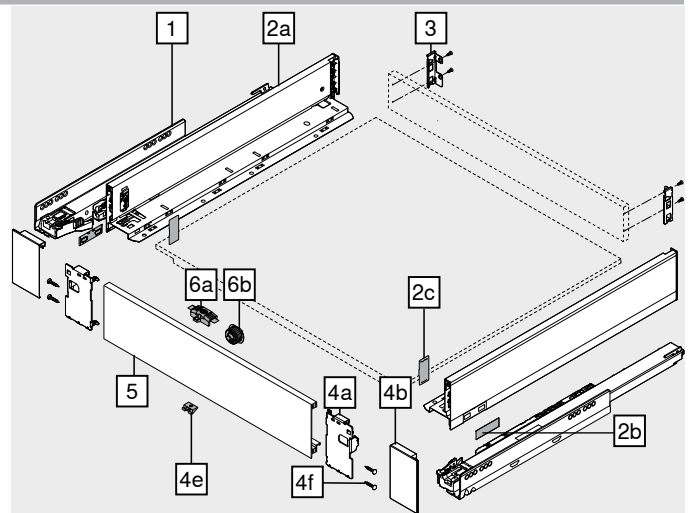
- 2a 1 x Left/right drawer sides
2b 2 x Branding element, stamped with Blum logo, starting at 1000 pcs. individually printed
2c 2 x Cover caps

3	Back fixing left/right		
	Colour	Material	Part no.
	TS-M OG-M PS-M SW-M NI	Steel	ZB7M000S

4	Front piece set		
	Colour	Material	Part no.
	TS-M OG-M PS-M SW-M	Steel	ZI7.0MS0
	INGL	Stainless steel	ZI7.0MI0

Composed of:

- 4a 1 x Front fixing left/right
4b 1 x Outer cover cap left/right
4e 1 x Locking piece
4f 4 x Screws



5	Front piece without groove		
	Colour	Length (mm)	Part no.
	TS-M OG-M PS-M SW-M NI-M	1043	ZV7.1043C01
Suitable for cabinet width KB 1200 mm			
Cutting Internal cabinet width LW – 126 mm			

Accessories

6	Latch set		
	Colour	Material	Part no.
	TS-M OG-M PS-M SW-M	Nylon	ZI7.0M07

Composed of:

- 6a 1 x Latch
6b 1 x Latch housing
RAL 7037 dust grey
TS-M Also for INGL

–	Fixing screw		
	Ø (mm)	Length (mm)	Part no.
	4	15	61D.1500

For the connection of chipboard back fixings with chipboard back and drawer side with drawer bases
In order to achieve optimal assembly, we recommend that you use flat headed screws

Colour	Colour	Colour	Colour
TS-M	Terra black matt	INGL	Stainless steel (Inox) Anti-fingerprint
OG-M	Orion grey matt	NI	Nickel plated
PS-M	Polar silver matt	NI-M	Matt nickel
SW-M	Silk white matt		

Inner drawer – M

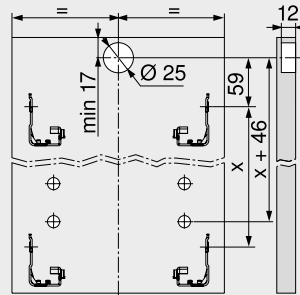
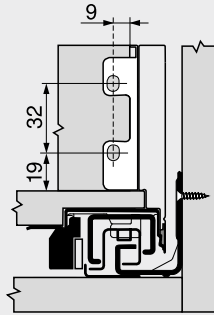
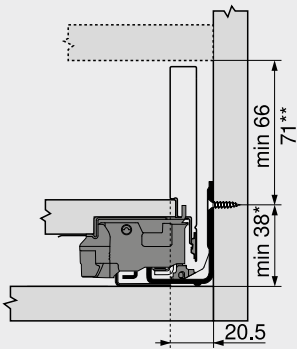
Webcode
DQBPA

Planning

Space requirement in cabinet

Installation dimensions – back

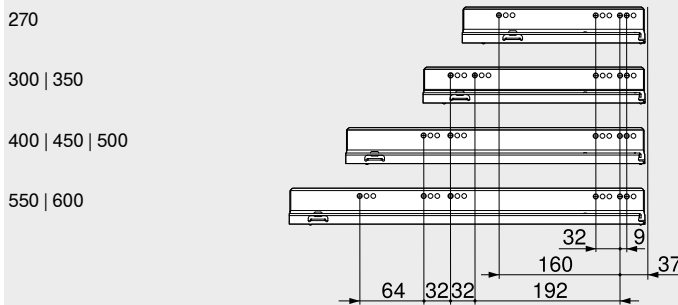
Drilling distances – front – latch housing



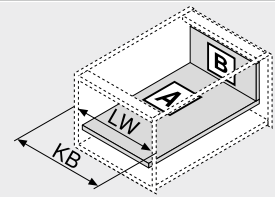
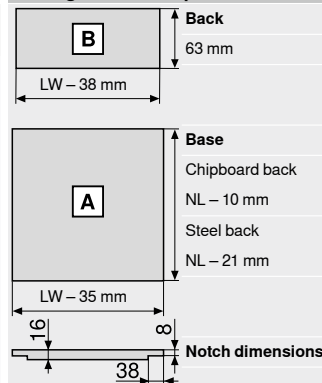
- * +1 mm if cabinet profile is installed before the cabinet is assembled
- ** Inner drawer with latch set possible from height 71 mm

Hole spacing – cabinet profiles

Cabinet profile 750 – 40 kg
Nominal length NL (mm)



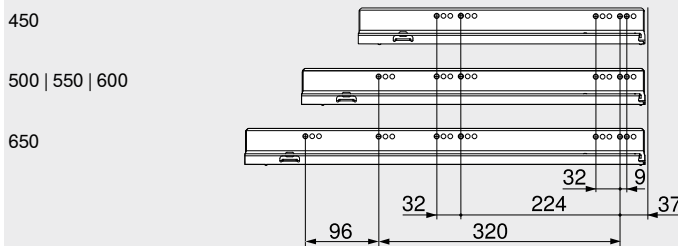
Cutting – 16 mm chipboard



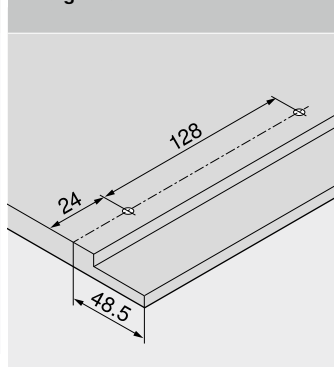
- KB Cabinet width
- LW Internal cabinet width
- NL Nominal length

Cabinet profile 753 – 70 kg

Nominal length NL (mm)



Drilling distances – drawer base



Internal cabinet depth LT min. = nominal length NL + 3 mm

Page instructions

Overview – LEGRABOX	205	Accessories – steel back	243	Assembly, removal and adjustment
Overview – SERVO-DRIVE for LEGRABOX TANDEMBOX	321	Accessories	243	
Overview – TIP-ON BLUMOTION for LEGRABOX	249	Cabinet profile fixing positions	247	
Overview – TIP-ON for LEGRABOX	255	Overview – assembly devices	561	
Overview – AMBIA-LINE for LEGRABOX CABLOXX	503	More technical details	662	
	552			
				Short-URL
				www.blum.com/a310

