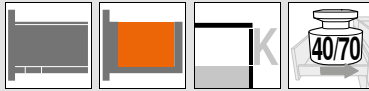


## Box systems

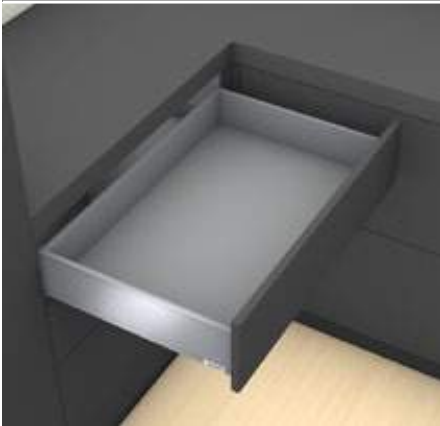
**blum**

- ▶ **LEGRABOX**
- ▶▶ **Standard cabinet**



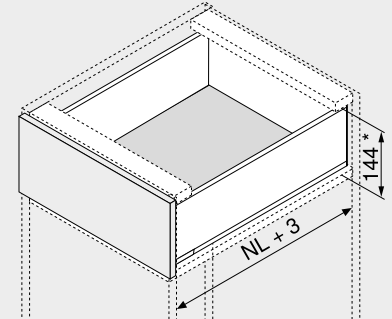
### Drawer – K

Webcode  
DQBNYM



- Suitable for LEGRABOX pure and LEGRABOX free
- Slim drawer side 12.8 mm
- Straight interior and exterior
- Synchronised feather-light glide
- Steel drawer side and stainless steel
- Tool-free front assembly
- Three-dimensional front adjustment in the drawer side
- Includes integrated, switchable **BLUMOTION S** for silent and effortless closing, and can be combined with **TIP-ON BLUMOTION** or **SERVO-DRIVE**

#### Space requirement



NL Nominal length  
\* Incl. 2 mm tilt adjustment

#### Order information

1	Cabinet profiles left/right	
	<b>BLUMOTION S</b>	
Nominal length	Dynamic carrying capacity (kg)	
NL (mm)	40	70
300	750.3001S	
350	750.3501S	
400	750.4001S	
450	750.4501S	753.4501S
500	750.5001S	753.5001S
550	750.5501S	753.5501S
600	750.6001S	753.6001S

2	Drawer side set	
	<b>Colour</b>	
Nominal length	TS-M   OG-M	INGL
NL (mm)	PS-M   SW-M	
300	770K3002S	
350	770K3502S	770K3502I
400	770K4002S	770K4002I
450	770K4502S	770K4502I
500	770K5002S	770K5002I
550	770K5502S	770K5502I
600	770K6002S	

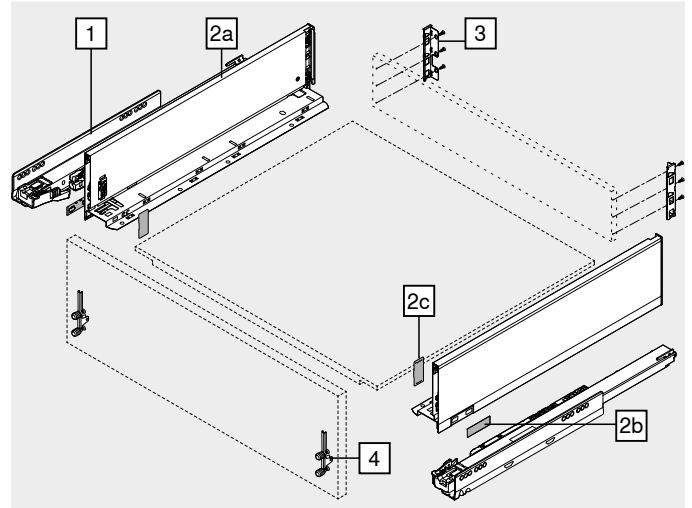
#### Composed of:

- 2a 1 x Left/right drawer sides  
2b 2 x Customer branding  
2c 2 x Cover caps

3	Back fixing left/right		Part no.
	<b>Colour</b>	<b>Material</b>	
	TS-M   OG-M   PS-M	Steel	<b>ZB7K000S</b>
	SW-M   NI		

4	Front fixing bracket		Part no.
	<b>Fixing method</b>		
	Screw-on	2 x	<b>ZF7K700Z</b>
	EXPANDO	2 x	<b>ZF7K70E2</b>
	EXPANDO T	2 x	<b>ZF7K70T2</b>

EXPANDO T suitable for thin fronts – see page instructions



#### a Accessories

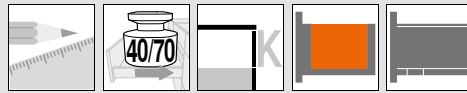
–	Chipboard screws		
	Ø (mm)	Length (mm)	Part no.
	3.5	15	<b>609.1500</b>
	3.5	17	<b>609.1700</b>

For front fixing

–	Fixing screw		
	Ø (mm)	Length (mm)	Part no.
	4	15	<b>61D.1500</b>

For the connection of chipboard back fixings with chipboard back and drawer side with drawer bases  
In order to achieve optimal assembly, we recommend that you use flat headed screws

Colour		Colour	
TS-M	Terra black matt	SW-M	Silk white matt
OG-M	Orion grey matt	INGL	Stainless steel (Inox) Anti-fingerprint
PS-M	Polar silver matt	NI	Nickel plated



Drawer – K

Webcode  
DQBNYM

Planning

Space requirement in cabinet	Installation dimensions – front – screw-on	Drilling distances – front – EXPANDO front	Installation dimensions – back
<p>* +1 mm if cabinet profile is installed before the cabinet is assembled ** Incl. 2 mm tilt adjustment</p>	<p>FA Front overlay * +1 mm if cabinet profile is installed before the cabinet is assembled</p>	<p>* +1 mm if cabinet profile is installed before the cabinet is assembled</p>	

Screw position – cabinet profiles

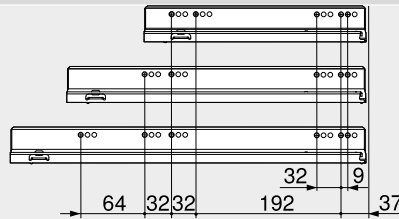
Cabinet profile 750 – 40 kg

Nominal length NL (mm)

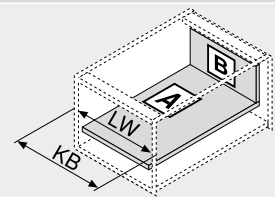
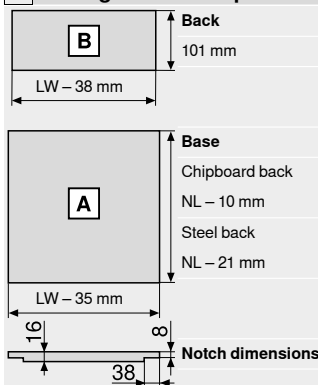
300, 350

400–500

550, 600



Cutting – 16 mm chipboard



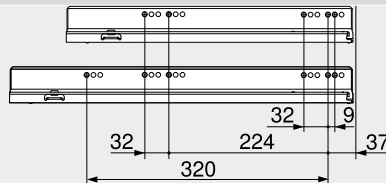
KB Cabinet width  
LW Internal cabinet width  
NL Nominal length

Cabinet profile 753 – 70 kg

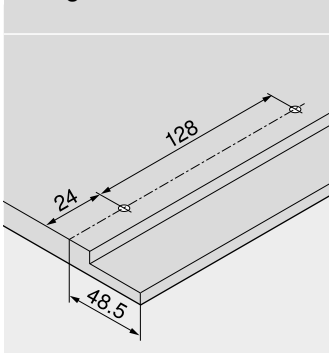
Nominal length NL (mm)

450

500–600



Drilling distances – drawer base



Internal cabinet depth LT min. = nominal length NL + 3 mm

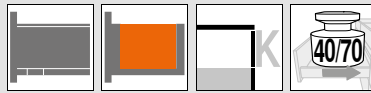
Page instructions

Overview – LEGRABOX	219	TIP-ON for LEGRABOX	266	Assembly, removal and adjustment	
Fixing system for thin fronts – EXPANDO T	588	Overview – AMBIA-LINE for LEGRABOX CABLOXX	539 586		
Assembly recommendation and limitation of liability – EXPANDO T	589	Accessories – steel back Accessories	257 257	Short-URL <a href="http://www.blum.com/a310">www.blum.com/a310</a>	
Overview – SERVO-DRIVE for LEGRABOX   TANDEMBOX	379	Cabinet profile fixing positions	261		
TIP-ON BLUMOTION for LEGRABOX	262	Overview – assembly devices More technical details	595 686		

# Box systems



- ▶ **LEGRABOX**
- ▶▶ **Standard cabinet**



Box systems

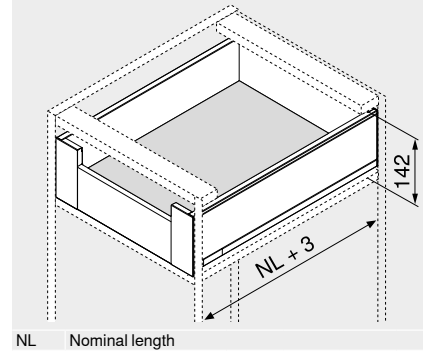
## Inner drawer – K

Webcode  
DQGPIM



- Suitable for LEGRABOX pure and LEGRABOX free
- Inner drawer with solid front piece
- Slim drawer side 12.8 mm
- Straight interior and exterior
- Synchronised feather-light glide
- Steel drawer side and stainless steel
- Tool-free front assembly
- Three-dimensional front adjustment in the drawer side
- Includes integrated, switchable **BLUMOTION S** for silent and effortless closing, and can be combined with **TIP-ON BLUMOTION** or **SERVO-DRIVE**

### Space requirement



### Order information

1	Cabinet profiles left/right	
	<b>BLUMOTION S</b>	
Nominal length	Dynamic carrying capacity (kg)	
NL (mm)	40	70
300	750.3001S	
350	750.3501S	
400	750.4001S	
450	750.4501S	753.4501S
500	750.5001S	753.5001S
550	750.5501S	753.5501S
600	750.6001S	753.6001S

2	Drawer side set	
	<b>Colour</b>	
Nominal length	TS-M   OG-M   PS-M   SW-M	INGL
NL (mm)		
300	770K3002S	
350	770K3502S	770K3502I
400	770K4002S	770K4002I
450	770K4502S	770K4502I
500	770K5002S	770K5002I
550	770K5502S	770K5502I
600	770K6002S	

#### Composed of:

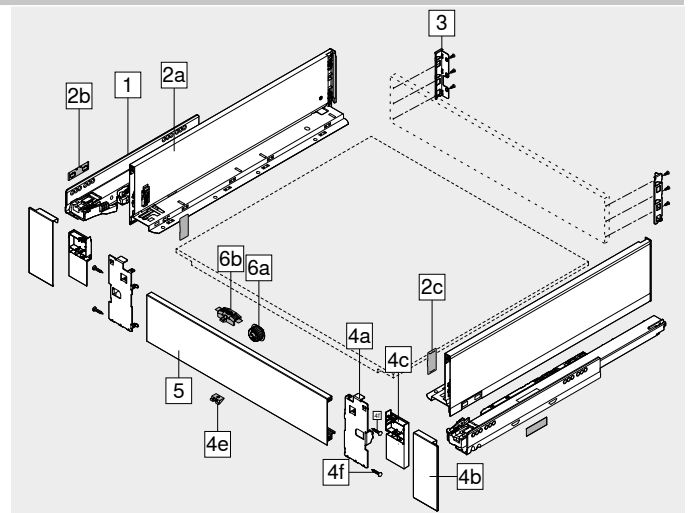
- 2a 1 x Left/right drawer sides
- 2b 2 x Customer branding
- 2c 2 x Cover caps

3	Back fixing left/right		Part no.
	Colour	Material	
	TS-M   OG-M   PS-M   SW-M   NI	Steel	ZB7K000S

4	Front piece set		Part no.
	Colour	Material	
	TS-M   OG-M   PS-M   SW-M	Steel	Z17.0KS0
	INGL	Stainless steel	Z17.0KI0

#### Composed of:

- 4a 1 x Front fixing left/right
- 4b 1 x Outer cover cap left/right
- 4c 1 x Interior cover cap left/right
- 4e 1 x Locking piece
- 4f 4 x Screws



5	Front piece without groove		Part no.
	Colour	Length (mm)	
	TS-M   OG-M   PS-M   SW-M   NI-M	1043	ZV7.1043C01
Suitable for cabinet width KB 1200 mm			
Cutting Internal cabinet width LW – 126 mm			

a	Accessories		Part no.
	<b>Latch set</b>		
	Colour	Material	
	TS-M   OG-M   PS-M   SW-M	Nylon	Z17.0M07

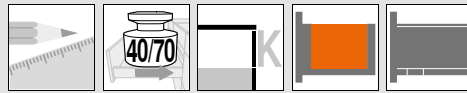
#### Composed of:

- 6a 1 x Latch
  - 6b 1 x Latch housing
- RAL 7037 dust grey  
TS-M Also for INGL

-	Fixing screw		Part no.
	Ø (mm)	Length (mm)	
	4	15	61D.1500

For the connection of chipboard back fixings with chipboard back and drawer side with drawer bases  
In order to achieve optimal assembly, we recommend that you use flat headed screws

Colour	Colour	Colour
TS-M Terra black matt	INGL Stainless steel (Inox) Anti-fingerprint	
OG-M Orion grey matt	NI Nickel plated	
PS-M Polar silver matt	NI-M Matt nickel	
SW-M Silk white matt		

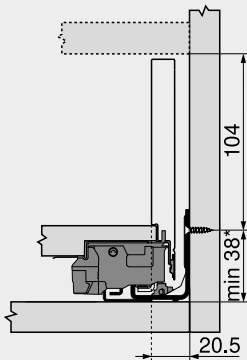


Inner drawer – K

Webcode  
DQGPIM

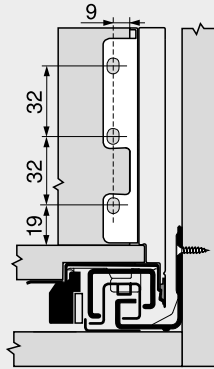
Planning

Space requirement in cabinet

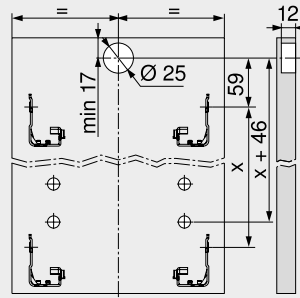


\* +1 mm if cabinet profile is installed before the cabinet is assembled

Installation dimensions – back



Drilling distances – front – latch housing



Screw position – cabinet profiles

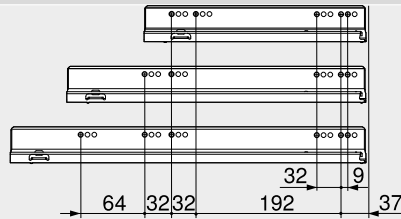
Cabinet profile 750 – 40 kg

Nominal length NL (mm)

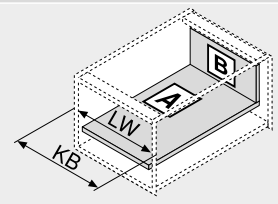
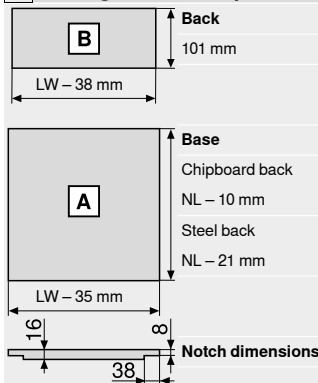
300, 350

400–500

550, 600



Cutting – 16 mm chipboard



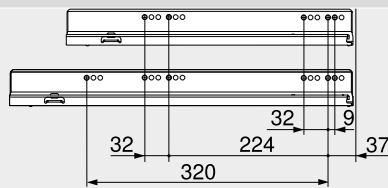
KB Cabinet width  
LW Internal cabinet width  
NL Nominal length

Cabinet profile 753 – 70 kg

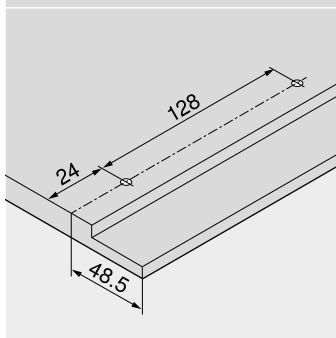
Nominal length NL (mm)

450

500–600




Drilling distances – drawer base



Internal cabinet depth LT min. = nominal length NL + 3 mm

Page instructions

Overview – LEGRABOX	219	Accessories	257	<b>Assembly, removal and adjustment</b>  Short-URL <a href="http://www.blum.com/a310">www.blum.com/a310</a>
Overview – SERVO-DRIVE for LEGRABOX   TANDEMBOX	379	Cabinet profile fixing positions	261	
TIP-ON BLUMOTION for LEGRABOX	262	Overview – assembly devices	595	
TIP-ON for LEGRABOX	266	More technical details	686	
Overview – AMBIA-LINE for LEGRABOX	539			
CABLOXX	586			
Accessories – steel back	257			