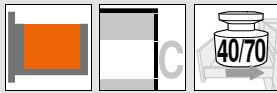


## Box systems

**blum**

- ▶ **LEGRABOX**
- ▶▶ **Standard cabinet – LEGRABOX free**



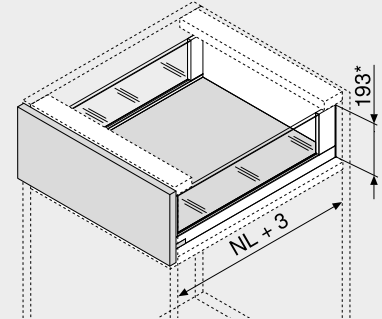
### High fronted pull-out – C

Webcode  
DQBQRY



- Large side design element
- Slim drawer side 12.8 mm
- Straight interior and exterior
- Synchronised feather-light glide
- Steel drawer side and stainless steel
- Tool-free front assembly
- Three-dimensional front adjustment in the drawer side
- Includes integrated, switchable **BLUMOTION S** for silent and effortless closing, and can be combined with **TIP-ON BLUMOTION** or **SERVO-DRIVE**

#### Space requirement



NL Nominal length  
\* Incl. 2 mm tilt adjustment

Box systems

#### Order information

1	Cabinet profiles left/right	
	<b>BLUMOTION S</b>	
Nominal length	Dynamic carrying capacity (kg)	
NL (mm)	40	70
350	750.3501S	
400	750.4001S	
450	750.4501S	753.4501S
500	750.5001S	753.5001S
550	750.5501S	753.5501S
600	750.6001S	753.6001S
650		753.6501S

2	Drawer side set	
	<b>Colour</b>	
Nominal length	TS-M   OG-M   PS-M   SW-M	INGL
NL (mm)		
350	780C3502S	780C3502I
400	780C4002S	780C4002I
450	780C4502S	780C4502I
500	780C5002S	780C5002I
550	780C5502S	780C5502I
600	780C6002S	780C6002I
650	780C6502S	780C6502I

#### Composed of:

- 2a 1 x Left/right drawer sides
- 2b 2 x Customer branding
- 2d 2 x BOXCOVER front
- 2e 2 x BOXCOVER back

3	Back fixing left/right		
	<b>Colour</b>	<b>Material</b>	<b>Part no.</b>
	TS-M   OG-M   PS-M   SW-M   NI	Steel	ZB7C000S

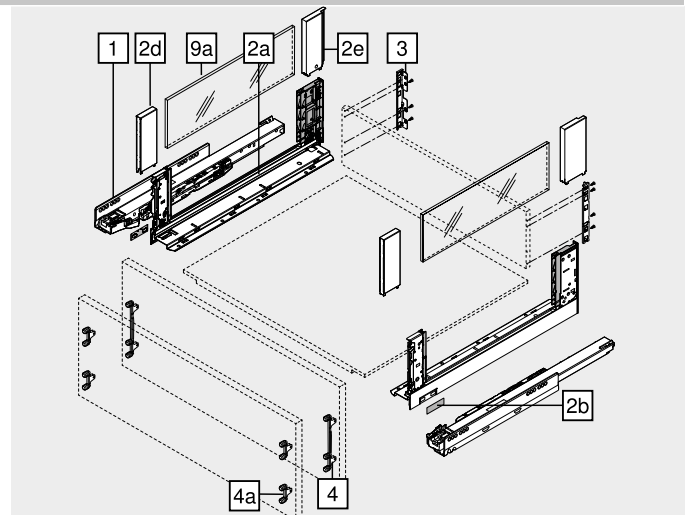
4	Front fixing bracket		
	<b>Fixing method</b>		<b>Part no.</b>
	Screw-on	2 x	ZF7C7002
	EXPANDO	2 x	ZF7C70E2
	EXPANDO T	2 x	ZF7C70T2

EXPANDO T suitable for thin fronts – see page instructions

#### Alternative to 4

4a	Front fixing bracket		
	<b>Fixing method</b>		<b>Part no.</b>
	Screw-on	4 x	ZF7M7002
	EXPANDO	4 x	ZF7M70E2
	EXPANDO T	4 x	ZF7M70T2

EXPANDO T suitable for thin fronts – see page instructions



9a	Glass design element (side)	
	<b>Material</b>	<b>Part no.</b>
	Glass	ZE7Sxx8G

For order specification, see design element

a	Accessories			
–	<b>Chipboard screws</b>			<b>Part no.</b>
	Ø (mm)	Length (mm)		
	3.5	15		609.1500
	3.5	17		609.1700

For front fixing

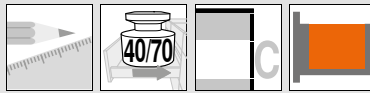
–	Fixing screw		
	Ø (mm)	Length (mm)	<b>Part no.</b>
	4	15	61D.1500

For the connection of chipboard back fixings with chipboard back and drawer side with drawer bases  
In order to achieve optimal assembly, we recommend that you use flat headed screws

–	Transportation lock – design element (side)		
	<b>Colour</b>	<b>Material</b>	<b>Part no.</b>
	Yellow	Nylon	780C0009

For transporting pre-assembled design element (side)

Colour	Colour
TS-M Terra black matt	SW-M Silk white matt
OG-M Orion grey matt	INGL Stainless steel (Inox) Anti-fingerprint
PS-M Polar silver matt	NI Nickel plated



High fronted pull-out – C

Webcode  
DQBQRV

Planning

Space requirement in cabinet	Installation dimensions – front – screw-on	Drilling distances – front – EXPANDO front	Installation dimensions – back
<p>* +1 mm if cabinet profile is installed before the cabinet is assembled Incl. 2 mm tilt adjustment</p>	<p>FA Front overlay * +1 mm if cabinet profile is installed before the cabinet is assembled ** Alternative 4a</p>	<p>4 * +1 mm if cabinet profile is installed before the cabinet is assembled</p>	

Screw position – cabinet profiles

Cabinet profile 750 – 40 kg

Nominal length NL (mm)

350	
400–500	
550, 600	

Cutting – 16 mm chipboard

 <b>B</b> Back 148 mm LW – 38 mm	
 <b>A</b> Base Chipboard back NL – 10 mm Steel back NL – 21 mm LW – 35 mm 16 mm notch depth 38 mm notch width	
Notch dimensions	

Cabinet profile 753 – 70 kg

Nominal length NL (mm)

450	
500–600	
650	

Cutting – design element

Design element	X (mm)	Y (mm)
Side	NL – 112	138
NL	Nominal length	

The given dimensions in combination with LEGRABOX | TANDEMBOX do not require "impact testing for vertically installed glass parts" as per the DIN EN 14749 norm June 2016. For norm compliance no safety glass is required. The edge is a polished flat-ended edge with a 1 mm ±0.5 mm bevel.

Internal cabinet depth LT min. = nominal length NL + 3 mm

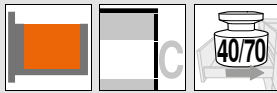
Page instructions

Overview – LEGRABOX	219	TIP-ON for LEGRABOX	266	Drilling distances – drawer base	232
Fixing system for thin fronts – EXPANDO T	588	Overview – AMBIA-LINE for LEGRABOX	539	Cabinet profile fixing positions	261
Assembly recommendation and limitation of liability – EXPANDO T	589	Design element	256	Overview – assembly devices	595
Overview – SERVO-DRIVE for LEGRABOX   TANDEMBOX	379	CABLOXX	586	<b>Assembly, removal and adjustment</b>	
TIP-ON BLUMOTION for LEGRABOX	262	Accessories – transportation lock – design element (side)	257		
		Accessories – steel back	257	Short-URL	
		Accessories	257	www.blum.com/a310	

## Box systems

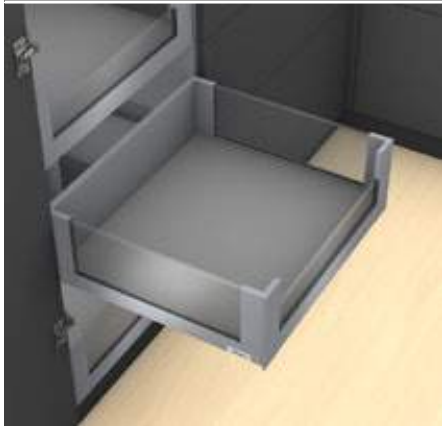


- ▶ **LEGRABOX**
- ▶▶ **Standard cabinet – LEGRABOX free**



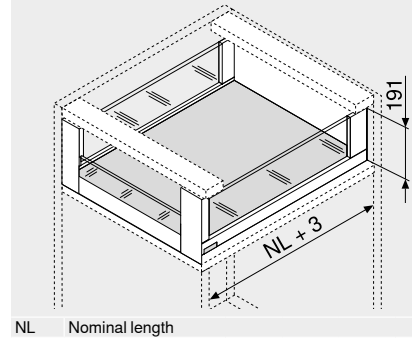
### Inner pull-out – design element – C

Webcode  
DQBUM



- Large side design element
- Inner pull-out with a high or low design element
- Slim drawer side 12.8 mm
- Straight interior and exterior
- Synchronised feather-light glide
- Steel drawer side and stainless steel
- Tool-free front assembly
- Three-dimensional front adjustment in the drawer side
- Includes integrated, switchable **BLUMOTION S** for silent and effortless closing, and can be combined with **TIP-ON BLUMOTION** or **SERVO-DRIVE**

#### Space requirement



NL Nominal length

#### Order information

1	Cabinet profiles left/right	
	<b>BLUMOTION S</b>	
Nominal length	Dynamic carrying capacity (kg)	
NL (mm)	40	70
350	750.3501S	
400	750.4001S	
450	750.4501S	753.4501S
500	750.5001S	753.5001S
550	750.5501S	753.5501S
600	750.6001S	753.6001S
650		753.6501S

2	Drawer side set	
	<b>Colour</b>	
Nominal length	TS-M   OG-M   PS-M   SW-M	INGL
NL (mm)		
350	780C3502S	780C3502I
400	780C4002S	780C4002I
450	780C4502S	780C4502I
500	780C5002S	780C5002I
550	780C5502S	780C5502I
600	780C6002S	780C6002I
650	780C6502S	780C6502I

#### Composed of:

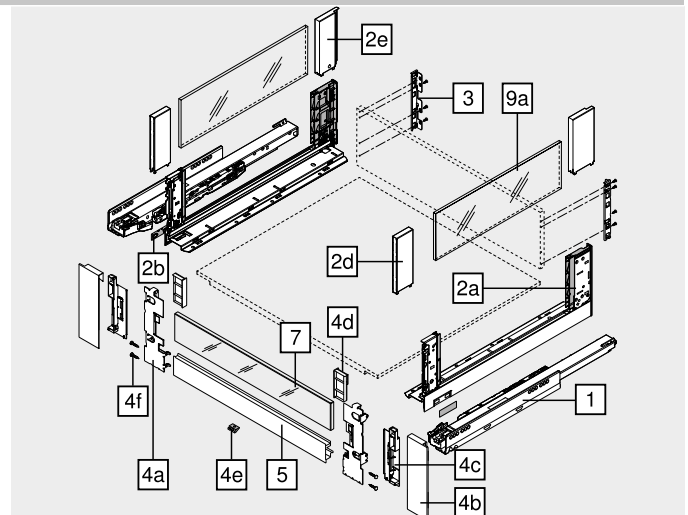
- 2a 1 x Left/right drawer sides
- 2b 2 x Customer branding
- 2d 2 x BOXCOVER front
- 2e 2 x BOXCOVER back

3	Back fixing left/right		
	<b>Colour</b>	<b>Material</b>	<b>Part no.</b>
	TS-M   OG-M   PS-M   SW-M   NI	Steel	ZB7C000S

4	Front piece set		
	<b>Colour</b>	<b>Material</b>	<b>Part no.</b>
	TS-M   OG-M   PS-M   SW-M	Steel	ZI7.2CS0
	INGL	Stainless steel	ZI7.2CI0

#### Composed of:

- 4a 1 x Front fixing left/right
- 4b 1 x Outer cover cap left/right
- 4c 1 x Interior cover cap left/right
- 4d 1 x Adapter piece for low design element left/right
- 4e 1 x Locking piece
- 4f 4 x Screws



5	Front piece with groove		
	<b>Colour</b>	<b>Length (mm)</b>	<b>Part no.</b>
	TS-M   OG-M   PS-M   SW-M   NI-M	1043	ZV7.1043MN1
Suitable for cabinet width KB 1200 mm			
Cutting Internal cabinet width LW – 126 mm			

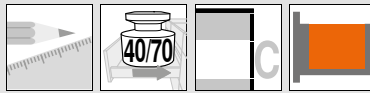
7	Glass design element (for inner pull-out front)		
	<b>Design</b>	<b>Material</b>	<b>Part no.</b>
	Low	Glass	ZE7VxxxxG
	High	Glass	ZE7WxxxxG
For order specification, see design element			

9a	Glass design element (side)		
	<b>Material</b>	<b>Part no.</b>	
	Glass	ZE7Sxx8G	
For order specification, see design element			

#### a Accessories

-	Transportation lock – design element (side)		
	<b>Colour</b>	<b>Material</b>	<b>Part no.</b>
	Yellow	Nylon	780C0009
For transporting pre-assembled design element (side)			

Colour		Colour	
TS-M	Terra black matt	INGL	Stainless steel (Inox) Anti-fingerprint
OG-M	Orion grey matt	NI	Nickel plated
PS-M	Polar silver matt	NI-M	Matt nickel
SW-M	Silk white matt		



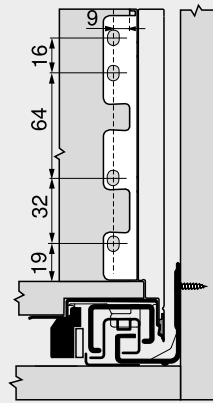
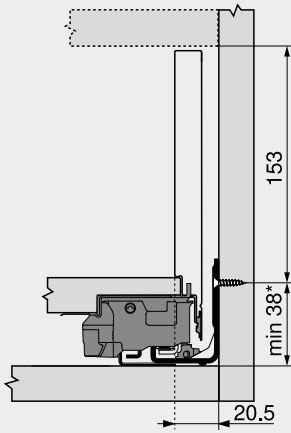
Inner pull-out – design element – C

Webcode  
 DQBUAM

Planning

Space requirement in cabinet

Installation dimensions – back

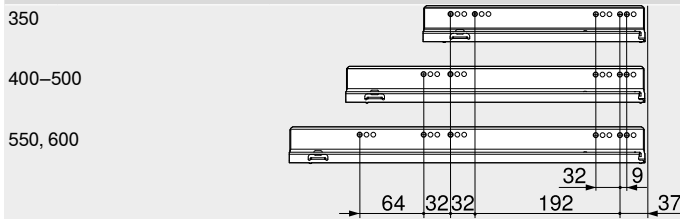


\* +1 mm if cabinet profile is installed before the cabinet is assembled

Screw position – cabinet profiles

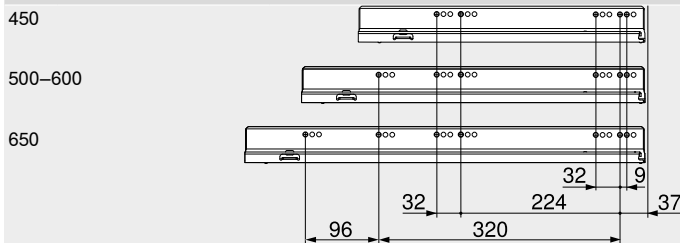
Cabinet profile 750 – 40 kg

Nominal length NL (mm)



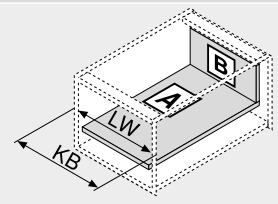
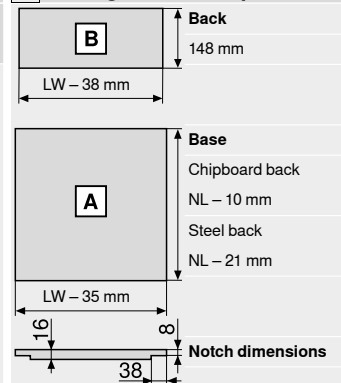
Cabinet profile 753 – 70 kg

Nominal length NL (mm)



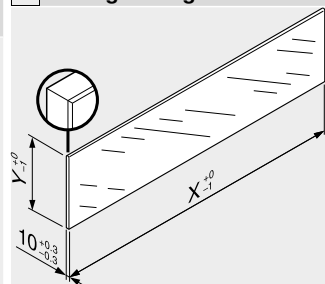
Internal cabinet depth LT min. = nominal length NL + 3 mm

Cutting – 16 mm chipboard



KB Cabinet width  
 LW Internal cabinet width  
 NL Nominal length

Cutting – design element



Design element	X (mm)	Y (mm)
Low	LW – 80	70
High	LW – 80	138
Side	NL – 112	138
LW	Internal cabinet width	
NL	Nominal length	

The given dimensions in combination with LEGRABOX | TANDEMBOX do not require "impact testing for vertically installed glass parts" as per the DIN EN 14749 norm June 2016. For norm compliance no safety glass is required. The edge is a polished flat-ended edge with a 1 mm ±0.5 mm bevel.

Page instructions

Overview – LEGRABOX	219	Accessories – transportation lock – design element (side)	257
Overview – SERVO-DRIVE for LEGRABOX   TANDEMBOX	379	Accessories – steel back	257
TIP-ON BLUMOTION for LEGRABOX	262	Accessories	257
TIP-ON for LEGRABOX	266	Drilling distances – drawer base	232
Overview – AMBIA-LINE for LEGRABOX	539	Cabinet profile fixing positions	261
CABLOXX	586	Overview – assembly devices	595
Design element	256	More technical details	686

Assembly, removal and adjustment

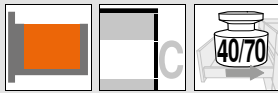


Short-URL  
[www.blum.com/a310](http://www.blum.com/a310)

## Box systems



- ▶ **LEGRABOX**
- ▶▶ **Standard cabinet – LEGRABOX free**



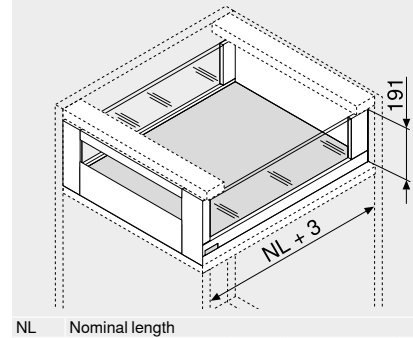
### Inner pull-out – gallery – C

Webcode  
DQBUZY



- Large side design element
- Inner pull-out with gallery
- Slim drawer side 12.8 mm
- Straight interior and exterior
- Synchronised feather-light glide
- Steel drawer side and stainless steel
- Tool-free front assembly
- Three-dimensional front adjustment in the drawer side
- Includes integrated, switchable **BLUMOTION S** for silent and effortless closing, and can be combined with **TIP-ON BLUMOTION** or **SERVO-DRIVE**

#### Space requirement



#### Order information

1	Cabinet profiles left/right	
	<b>BLUMOTION S</b>	
Nominal length	Dynamic carrying capacity (kg)	
NL (mm)	40	70
350	750.3501S	
400	750.4001S	
450	750.4501S	753.4501S
500	750.5001S	753.5001S
550	750.5501S	753.5501S
600	750.6001S	753.6001S
650		753.6501S

2	Drawer side set	
	<b>Colour</b>	
Nominal length	TS-M   OG-M   PS-M   SW-M	INGL
NL (mm)		
350	780C3502S	780C3502I
400	780C4002S	780C4002I
450	780C4502S	780C4502I
500	780C5002S	780C5002I
550	780C5502S	780C5502I
600	780C6002S	780C6002I
650	780C6502S	780C6502I

#### Composed of:

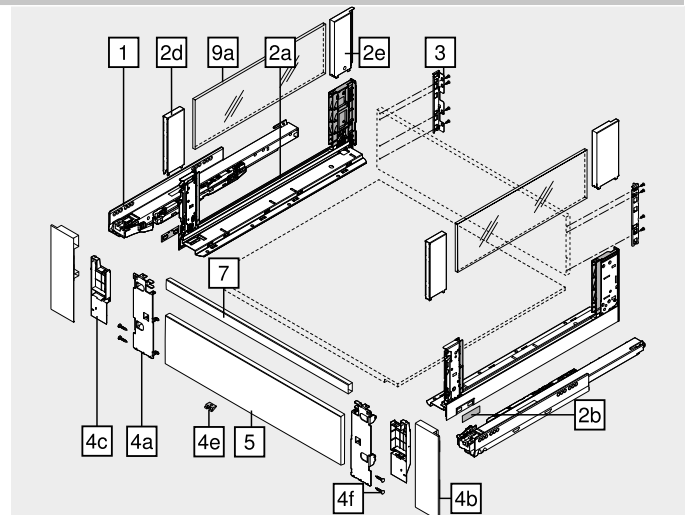
- 2a 1 x Left/right drawer sides
- 2b 2 x Customer branding
- 2d 2 x BOXCOVER front
- 2e 2 x BOXCOVER back

3	Back fixing left/right		
	<b>Colour</b>	<b>Material</b>	<b>Part no.</b>
	TS-M   OG-M   PS-M   SW-M   NI	Steel	ZB7C000S

4	Front piece set		
	<b>Colour</b>	<b>Material</b>	<b>Part no.</b>
	TS-M   OG-M   PS-M   SW-M	Steel	ZI7.3CS0
	INGL	Stainless steel	ZI7.3CI0

#### Composed of:

- 4a 1 x Front fixing left/right
- 4b 1 x Outer cover cap left/right
- 4c 1 x Interior cover cap left/right
- 4e 1 x Locking piece
- 4f 4 x Screws



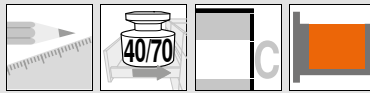
5	Front piece without groove		
	<b>Colour</b>	<b>Length (mm)</b>	<b>Part no.</b>
	TS-M   OG-M   PS-M   SW-M   NI-M	1043	ZV7.1043C01
Suitable for cabinet width KB 1200 mm			
Cutting Internal cabinet width LW – 126 mm			

7	Cross gallery		
	<b>Colour</b>	<b>Length (mm)</b>	<b>Part no.</b>
	TS-M   OG-M   PS-M   SW-M   NI-M	1080	ZR7.1080U
Suitable for cabinet width KB 1200 mm			
Cutting Internal cabinet width LW – 90 mm			

9a	Glass design element (side)	
	<b>Material</b>	<b>Part no.</b>
	Glass	ZE7Sxx8G
For order specification, see design element		

a	Accessories		
–	<b>Transportation lock – design element (side)</b>		
	<b>Colour</b>	<b>Material</b>	<b>Part no.</b>
	Yellow	Nylon	780C0009
For transporting pre-assembled design element (side)			

Colour		Colour	
TS-M	Terra black matt	INGL	Stainless steel (Inox) Anti-fingerprint
OG-M	Orion grey matt	NI	Nickel plated
PS-M	Polar silver matt	NI-M	Matt nickel
SW-M	Silk white matt		



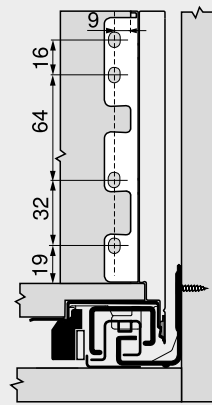
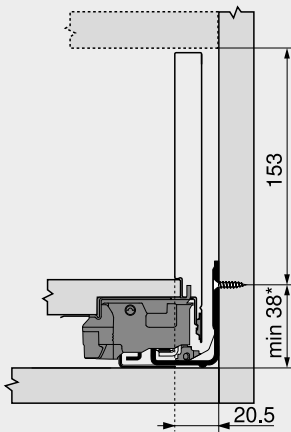
Inner pull-out – gallery – C

Webcode  
 DQBUZY

Planning

Space requirement in cabinet

Installation dimensions – back

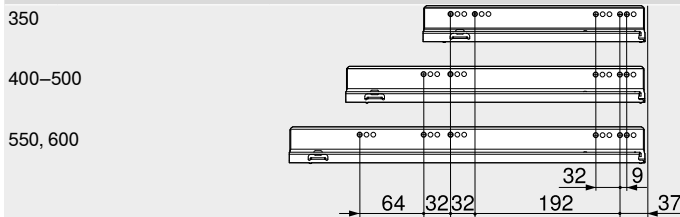


\* +1 mm if cabinet profile is installed before the cabinet is assembled

Screw position – cabinet profiles

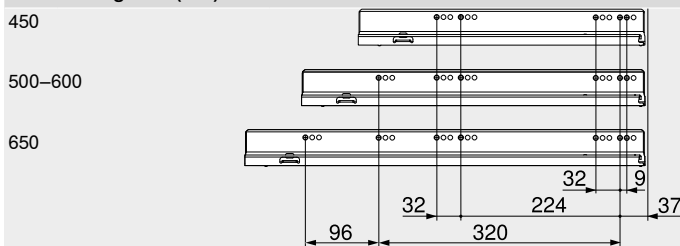
Cabinet profile 750 – 40 kg

Nominal length NL (mm)



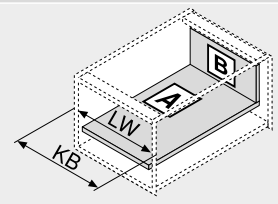
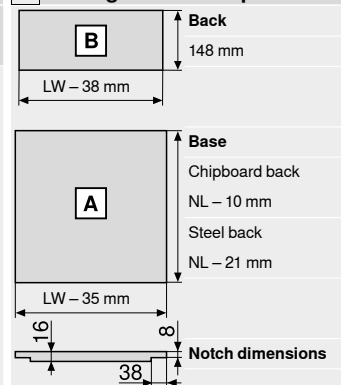
Cabinet profile 753 – 70 kg

Nominal length NL (mm)



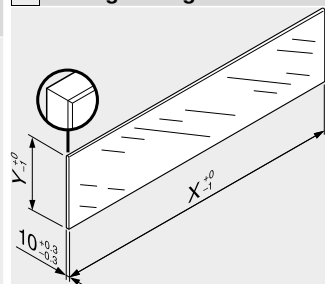
Internal cabinet depth LT min. = nominal length NL + 3 mm

Cutting – 16 mm chipboard



KB Cabinet width  
 LW Internal cabinet width  
 NL Nominal length

Cutting – design element



Design element	X (mm)	Y (mm)
Side	NL – 112	138
NL	Nominal length	

The given dimensions in combination with LEGRABOX | TANDEMBOX do not require "impact testing for vertically installed glass parts" as per the DIN EN 14749 norm June 2016. For norm compliance no safety glass is required. The edge is a polished flat-ended edge with a 1 mm ±0.5 mm bevel.

Page instructions

Overview – LEGRABOX	219	Accessories – transportation lock – design element (side)	257
Overview – SERVO-DRIVE for LEGRABOX   TANDEMBOX	379	Accessories – steel back	257
TIP-ON BLUMOTION for LEGRABOX	262	Accessories	257
TIP-ON for LEGRABOX	266	Drilling distances – drawer base	232
Overview – AMBIA-LINE for LEGRABOX	539	Cabinet profile fixing positions	261
CABLOXX	586	Overview – assembly devices	595
Design element	256	More technical details	686

Assembly, removal and adjustment



Short-URL  
[www.blum.com/a310](http://www.blum.com/a310)